

EN	User Manual	2
	Freezer	
FI	Käyttöohje	21
	Pakastin	
SV	Bruksanvisning	40
	Frysååp	

A92860GNX3
A92860GNB3



CONTENTS

1. SAFETY INFORMATION.....	3
2. SAFETY INSTRUCTIONS.....	4
3. OPERATION.....	6
4. DAILY USE.....	8
5. HINTS AND TIPS.....	11
6. CARE AND CLEANING.....	11
7. TROUBLESHOOTING.....	13
8. INSTALLATION.....	16
9. NOISES.....	18
10. TECHNICAL INFORMATION.....	19

FOR PERFECT RESULTS

Thank you for choosing this AEG product. We have created it to give you impeccable performance for many years, with innovative technologies that help make life simpler features you might not find on ordinary appliances. Please spend a few minutes reading to get the very best from it.

Visit our website for:



Get usage advice, brochures, trouble shooter, service information:
www.aeg.com/webselfservice



Register your product for better service:
www.registeraeg.com



Buy Accessories, Consumables and Original spare parts for your appliance:
www.aeg.com/shop

CUSTOMER CARE AND SERVICE

Always use original spare parts.

When contacting our Authorised Service Centre, ensure that you have the following data available: Model, PNC, Serial Number.

The information can be found on the rating plate.



Warning / Caution-Safety information



General information and tips



Environmental information

Subject to change without notice.

1. ⚠ SAFETY INFORMATION

Before the installation and use of the appliance, carefully read the supplied instructions. The manufacturer is not responsible if an incorrect installation and use causes injuries and damages. Always keep the instructions with the appliance for future reference.

1.1 Children and vulnerable people safety

- This appliance can be used by children aged from 8 years and above and persons with reduced physical, sensory or mental capabilities or lack of experience and knowledge if they have been given supervision or instruction concerning use of the appliance in a safe way and understand the hazards involved.
- Do not let children play with the appliance.
- Cleaning and user maintenance shall not be made by children without supervision.
- Keep all packaging away from children.

1.2 General Safety

- This appliance is intended to be used in household and similar applications such as:
 - Farm houses; staff kitchen areas in shops, offices and other working environments
 - By clients in hotels, motels, bed and breakfast and other residential type environments
- Keep ventilation openings, in the appliance enclosure or in the built-in structure, clear of obstruction.
- Do not use mechanical devices or other means to accelerate the defrosting process, other than those recommended by the manufacturer.
- Do not damage the refrigerant circuit.
- Do not use electrical appliances inside the food storage compartments of the appliance, unless they are of the type recommended by the manufacturer.

- Do not use water spray and steam to clean the appliance.
- Clean the appliance with a moist soft cloth. Only use neutral detergents. Do not use abrasive products, abrasive cleaning pads, solvents or metal objects.
- Do not store explosive substances such as aerosol cans with a flammable propellant in this appliance.
- If the supply cord is damaged, it must be replaced by the manufacturer, its service agent or similarly qualified persons in order to avoid a hazard.
- If the appliance is equipped with an Ice maker or a water dispenser, fill them with potable water only.
- If the appliance requires a water connection, connect it to potable water supply only.
- The inlet water pressure (minimum and maximum) must be between 1 bar (0,1 MPa) and 10 bar (1 MPa)

2. SAFETY INSTRUCTIONS

2.1 Installation



WARNING!

Only a qualified person must install this appliance.

- Remove all the packaging.
- Do not install or use a damaged appliance.
- Obey the installation instruction supplied with the appliance.
- Always be careful when you move the appliance because it is heavy. Always wear safety gloves.
- Make sure the air can circulate around the appliance.
- Wait at least 4 hours before connecting the appliance to the power supply. This is to allow the oil to flow back in the compressor.
- Do not install the appliance close to radiators or cookers, oven or hobs.
- The rear of the appliance must stand against the wall.
- Do not install the appliance where there is direct sunlight.
- Do not install this appliance in areas that are too humid or too colds, such

as the construction appendices, garages or wine cellars.

- When you move the appliance, lift it by the front edge to avoid scratching the floor.

2.2 Electrical connection



WARNING!

Risk of fire and electrical shock.

- The appliance must be earthed.
- Make sure that the electrical information on the rating plate agrees with the power supply. If not, contact an electrician.
- Always use a correctly installed shockproof socket.
- Do not use multi-plug adapters and extension cables.
- Make sure not to cause damage to the electrical components (e.g. mains plug, mains cable, compressor). Contact the Service or an electrician to change the electrical components.
- The mains cable must stay below the level of the mains plug.

- Connect the mains plug to the mains socket only at the end of the installation. Make sure that there is access to the mains plug after the installation.
- Do not pull the mains cable to disconnect the appliance. Always pull the mains plug.

2.3 Use



WARNING!

Risk of injury, burns, electrical shock or fire.

- Do not change the specification of this appliance.
- Do not put electrical appliances (e.g. ice cream makers) in the appliance unless they are stated applicable by the manufacturer.
- Be careful not to cause damage to the refrigerant circuit. It contains isobutane (R600a), a natural gas with a high level of environmental compatibility. This gas is flammable.
- If damage occurs to the refrigerant circuit, make sure that there are no flames and sources of ignition in the room. Ventilate the room.
- Do not let hot items to touch the plastic parts of the appliance.
- Do not put soft drinks in the freezer compartment. This will create pressure on the drink container.
- Do not store flammable gas and liquid in the appliance.
- Do not put flammable products or items that are wet with flammable products in, near or on the appliance.
- Do not touch the compressor or the condenser. They are hot.
- Do not remove or touch items from the freezer compartment if your hands are wet or damp.
- Do not freeze again food that has been thawed.

- Obey the storage instructions on the packaging of frozen food.

2.4 Care and cleaning



WARNING!

Risk of injury or damage to the appliance.

- Before maintenance, deactivate the appliance and disconnect the mains plug from the mains socket.
- This appliance contains hydrocarbons in the cooling unit. Only a qualified person must do the maintenance and the recharging of the unit.
- Regularly examine the drain of the appliance and if necessary, clean it. If the drain is blocked, defrosted water collects in the bottom of the appliance.

2.5 Disposal



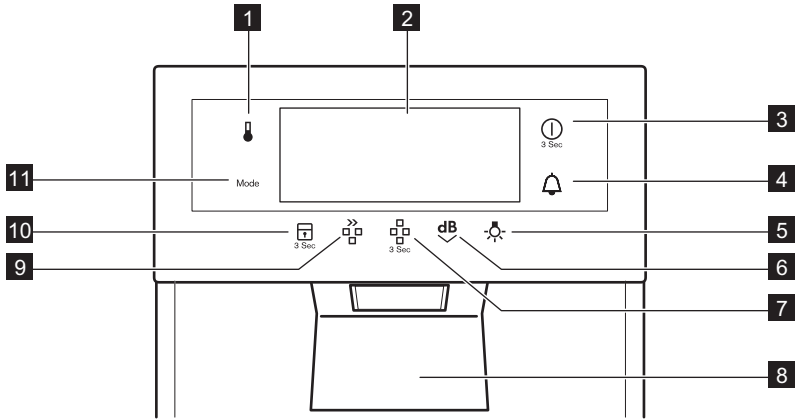
WARNING!

Risk of injury or suffocation.

- Disconnect the appliance from the mains supply.
- Cut off the mains cable and discard it.
- Remove the door to prevent children and pets to be closed inside of the appliance.
- The refrigerant circuit and the insulation materials of this appliance are ozone-friendly.
- The insulation foam contains flammable gas. Contact your municipal authority for information on how to discard the appliance correctly.
- Do not cause damage to the part of the cooling unit that is near the heat exchanger.

3. OPERATION

3.1 Control panel

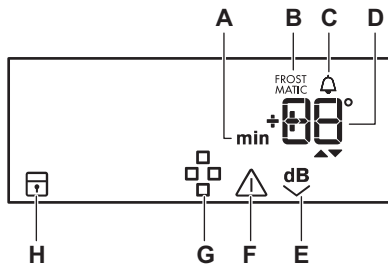


- | | |
|-------------------------------|----------------------------------|
| 1 Temperature button | 7 Ice maker ON/OFF button |
| 2 Display | 8 Dispenser lever |
| 3 ON/OFF button | 9 Rapid ice button |
| 4 Minute minder button | 10 Child lock button |
| 5 Light button | 11 Mode button |
| 6 Night mode button | |

It is possible to change predefined sound of buttons to a loudly one by pressing together Mode button and

Temperature button for some seconds. Change is reversible.

3.2 Display



- | |
|----------------------------------|
| A. Timer |
| B. FROSTMATIC function |
| C. Minute minder function |
| D. Temperature indicator |
| E. Night mode |
| F. Alarm indicator |
| G. Ice maker function |
| H. Child Lock function |

3.3 Switching on

1. Connect the mains plug to the power socket.
2. Press the ON/OFF if the display is off.


The alarm buzzer could operate after few seconds.

To reset the alarm refer to "High temperature alarm".

If DEMO appears on the display, the appliance is in demonstration mode.

Refer to "What to do if..." paragraph.


The temperature indicators show the set default temperature.

-  To select a different set temperature refer to "Temperature regulation".

3.4 Switching off

Press ON/OFF for 3 seconds.

The display switches off.

-  To disconnect the appliance from the power disconnect the mains plug from the power socket.


3.5 Temperature regulation

The set temperature of the freezer may be adjusted by pressing the temperature button.

Default temperature:

- -18°C for the freezer

The temperature indicator shows the set temperature.


-  The set temperature will be reached within 24 hours. After a power failure the set temperature remains stored.

3.6 Ice maker function

The ice maker is switched on at delivery and starts up automatically when the appliance is connected to water and power supplies.

To switch on and off the function press the ice maker ON/OFF for 3 seconds.

The ice maker icon is shown when the ice maker is activated.

-  The ice maker icon is flashing when the ice container is out of position. For further details please refer to "Troubleshooting" chapter.

3.7 ChildLock function


To lock any possible operation through the buttons select the ChildLock function.

1. To switch on the function press ChildLock for 3 seconds. The ChildLock indicator is shown.
2. To switch off the function press ChildLock for 3 seconds. The ChildLock indicator goes off.

3.8 FROSTMATIC function

Press the Mode button until the FROSTMATIC icon appears.

This function stops automatically after 52 hours. To switch off the function before its automatic end, press the Mode button in order to select another function or press the Mode button until you can see none of the special icons.

-  The function switches off by selecting a different freezer set temperature.

3.9 Minute Minder function

The Minute Minder function is to be used to set an acoustic alarm at the preferred time, useful for example when a recipe requires to cool down a mixture for a certain period of time, or when a reminder is needed in order not to forget bottles placed in the freezer for fast cooling.

1. Press the Minute Minder button. The Minute Minder indicator appears. The Timer shows the set value (30 minutes).
2. Press the Temperature button to change the Timer set value from 1 to 90 minutes.

The Timer indicator is shown (min).

At the end of the countdown the Minute Minder indicator flashes and an audible

alarm sounds. At that time, remove any drinks contained in the freezer compartment, and press the Minute Minder button to switch off the sound and terminate the function.

To change the time during the countdown or at the end, press the Temperature button.

To deactivate the function at any time during the countdown, repeat the procedure until the Minute Minder icon turns off.

3.10 High temperature alarm

Temperature increase in the freezer compartment (for example due to an earlier power failure or door is open) is indicated by:

- flashing the alarm and freezer temperature indicators;
- sounding of buzzer.

Press any button.

The buzzer switches off.

The freezer temperature indicator shows the highest temperature reached for a few seconds. Then show again the set temperature.

The alarm indicator continue to flash until the normal conditions are restored.

3.11 Door open alarm

An acoustic alarm will sound if the door is left open for a few minutes. The door open alarm conditions are indicated by:

- a flashing alarm indicator;
- an acoustic buzzer.

When normal conditions are restored (door closed), the alarm will stop.

During the alarm phase, the buzzer can be switched off by pressing any control panel button.

3.12 Lighting

The ice dispenser lighting illuminates automatically when operated.

3.13 For continuous lighting

Make sure that the ice dispenser is unlocked.

Press the Light button and the lighting goes on.

Brightness is now about 20% until the dispenser is used.

3.14 Switch off the lighting

Make sure that the ice dispenser is unlocked.

Press the light button and the lighting goes out.

3.15 Night mode

This function is used to terminate the icemaking during the darker period of the day.

To switch on or off the night mode press the night mode button.

The night mode icon is shown when the night mode is activated.

3.16 Dispensing of ice

The dispensing of ice starts when the dispenser lever is fully depressed and continues until the lever is released.

Stop delivery by removing the container from the dispenser lever.

3.17 Rapid dispensing of ice

If increased ice dispensing is desired press the rapid ice button and hold it and then push the dispenser lever.

4. DAILY USE



WARNING!

Refer to Safety chapters.

4.1 Freezing fresh food

The freezer compartment is suitable for freezing fresh food and storing frozen and deep-frozen food for a long time.

To freeze small amount of fresh foods it is not necessary to change the present setting.

To freeze fresh food activate the FROSTMATIC function at least 24 hours before placing the food to be frozen in the freezer compartment.

Place the fresh food to be frozen in all compartments except the lowest one.

The maximum amount of food that can be frozen in 24 hours is specified on the rating plate, a label located on the inside of the appliance.

The freezing process lasts 24 hours: during this period do not add other food to be frozen.

When the freezing process is completed, return to the required temperature (see "FROSTMATIC Function").

4.2 Storage of frozen food

When first starting-up or after a period out of use, let the appliance run at least 2 hours before putting products in the freezer compartment.

The freezer baskets ensure that it is quick and easy to find the food packages you want. If large quantities of food are to be stored, remove all drawers except for the bottom basket which secures good air circulation.

It is possible to place food that protrudes 15 mm from the door on all shelves except the top one.

i In the event of accidental defrosting, for example due to a power failure, if the power has been off for longer than the value shown in the technical characteristics chart under "rising time", the defrosted food must be consumed quickly or cooked immediately and then re-frozen (after cooling).

4.3 Thawing

Deep-frozen or frozen food, prior to being used, can be thawed in the

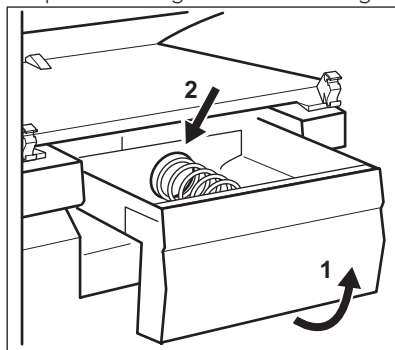
refrigerator compartment or at room temperature, depending on the time available for this operation.

Small pieces may even be cooked still frozen, directly from the freezer: in this case, cooking will take longer.

4.4 Removing the ice container

The ice container can be removed.

1. Tilt up and pull the ice container outwards to removal.
When the ice container is pulled out, this stops all the functions of the ice machine.
2. When refitting (if necessary) the ice container feed screw should be positioned against the rear flange.

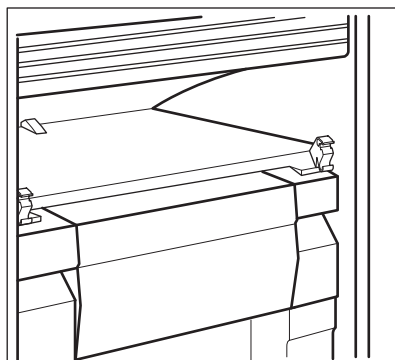


4.5 Shelf above ice maker



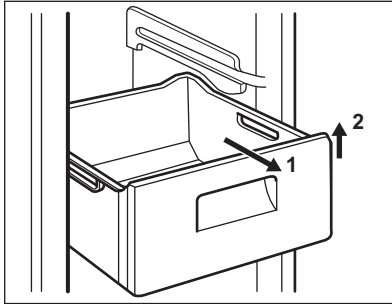
CAUTION!

The shelf above the ice maker cannot be removed.



4.6 Removal of freezing baskets and glass shelves from the freezer

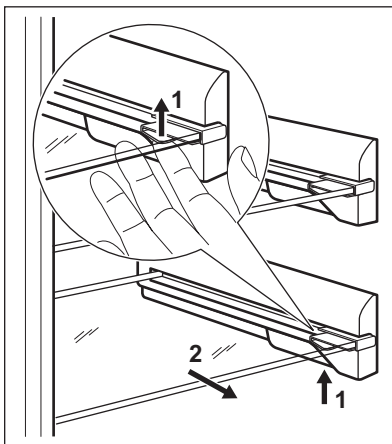
The freezing baskets have a limit stop to prevent their accidental removal or falling out. At the time of its removal from the freezer, pull the basket towards yourself and, upon reaching the end point, remove the basket by tilting its front upwards.



At the time of putting it back, slightly lift the front of the basket to insert it into the freezer. Once you are over the end points, push the baskets back in their position.

The appliance is equipped with shelf stops to secure the shelves.

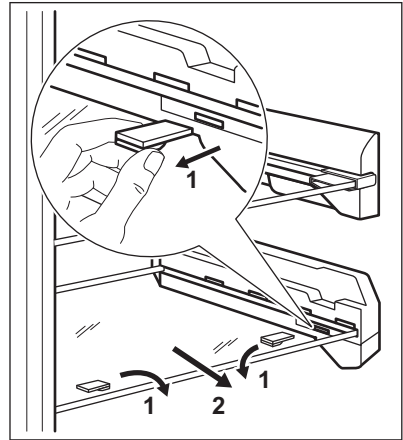
The shelves must be lifted up (1) on each side and then pulled outwards (2).



The glass shelves equipped with expander rollers are secured with locking pins.

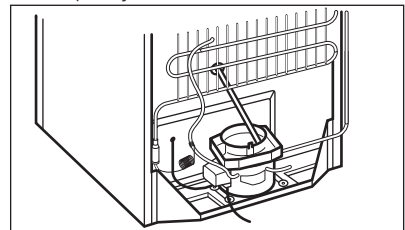
To remove them, loose the locking pin on each side on the expander roller. If necessary, use a screwdriver.

Afterwards pull out both locking pins (1) and pull the glass shelf outwards (2).



4.7 Cleaning the interior

1. Before using the appliance for the first time, wash the interior and all internal accessories with lukewarm water and neutral soap so as to remove the typical smell of a brand-new product, then dry thoroughly.
2. Check that the drain hose at the rear of the cabinet discharges into the drip tray.



CAUTION!

Do not use detergents or abrasive powders, as these will damage the finish.

5. HINTS AND TIPS

5.1 Normal operating sounds

The following sounds are normal during operation:

- A faint gurgling and bubbling sound from coils sound when refrigerant is pumped.
- A whirring and pulsating sound from the compressor when refrigerant is pumped.
- A sudden cracking noise from inside appliance caused by thermic dilatation (a natural and not dangerous physical phenomenon).
- A faint click noise from the temperature regulator when the compressor switches on or off.

5.2 Hints for energy saving

- Do not open the door frequently or leave it open longer than absolutely necessary.
- If foreseen, do not remove the cold accumulators from the freezer basket.

5.3 Hints for freezing

To help you make the most of the freezing process, here are some important hints:

- the maximum quantity of food which can be frozen in 24 hrs. is shown on the rating plate;
- the freezing process takes 24 hours. No further food to be frozen should be added during this period;
- freeze only top quality, fresh and thoroughly cleaned, foodstuffs;
- prepare food in small portions to enable it to be rapidly and completely

frozen and to make it possible subsequently to thaw only the quantity required;

- wrap up the food in aluminium foil or polythene and make sure that the packages are airtight;
- do not allow fresh, unfrozen food to touch food which is already frozen, thus avoiding a rise in temperature of the latter;
- lean foods store better and longer than fatty ones; salt reduces the storage life of food;
- water ices, if consumed immediately after removal from the freezer compartment, can possibly cause the skin to be freeze burnt;
- it is advisable to show the freezing in date on each individual pack to enable you to keep tab of the storage time.

5.4 Hints for storage of frozen food

To obtain the best performance from this appliance, you should:

- make sure that the commercially frozen foodstuffs were adequately stored by the retailer;
- be sure that frozen foodstuffs are transferred from the foodstore to the freezer in the shortest possible time;
- not open the door frequently or leave it open longer than absolutely necessary;
- once defrosted, food deteriorates rapidly and cannot be refrozen;
- do not exceed the storage period indicated by the food manufacturer.

6. CARE AND CLEANING



WARNING!

Refer to Safety chapters.



CAUTION!

Unplug the appliance before carrying out any maintenance operation.



This appliance contains hydrocarbons in its cooling unit; maintenance and recharging must therefore only be carried out by authorized technicians.



The accessories and parts of the appliance are not suitable for washing in a dishwasher.

6.2 Periodic cleaning



CAUTION!

Do not pull, move or damage any pipes and/or cables inside the cabinet.



CAUTION!

Take care of not to damage the cooling system.



CAUTION!

When moving the cabinet, lift it by the front edge to avoid scratching the floor.

The equipment has to be cleaned regularly:

1. Clean the inside and accessories with lukewarm water and some neutral soap.
2. Regularly check the door seals and wipe clean to ensure they are clean and free from debris.
3. Rinse and dry thoroughly.
4. If accessible, clean the condenser and the compressor at the back of the appliance with a brush.
This operation will improve the performance of the appliance and save electricity consumption.

6.3 Cleaning the ice maker

When necessary, clean the surfaces of the dispenser and the ice container that are accessible from the outside, using only a soft cloth and warm water.

Ensure that the ice container is thoroughly dry before being refitted.



CAUTION!

Do not use detergents or abrasive paste.

6.4 Defrosting the freezer

The freezer compartment is frost free. This means that there is no build up of frost when it is in operation, neither on the internal walls nor on the foods.

The absence of frost is due to the continuous circulation of cold air inside the compartment, driven by an automatically controlled fan.

6.5 Periods of non-operation

When the appliance is not in use for long periods, take the following precautions:

1. Switch off the ice maker.
2. Turn off the water connection.
3. Empty the ice container.
4. Disconnect the appliance from electricity supply.
5. Remove all food.
6. Clean the appliance and all accessories.
7. Leave the door/doors open to prevent unpleasant smells.

When the ice maker starts again, do not use ice produced during the first day to ensure fresh taste.



WARNING!

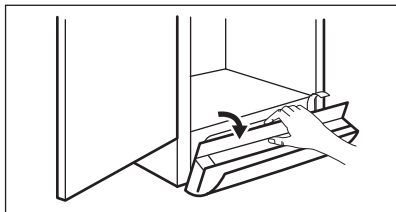
If the cabinet will be kept on, ask somebody to check it once in a while to prevent the food inside from spoiling in case of a power failure.

6.6 Cleaning the ventilation grille

Make sure the door is open.

The ventilation grille can be removed for washing.

1. Loosen the edge of the grille by pulling it according to the figure.



2. Pull the grille straight out to completely remove it.
3. Vacuum clean under the cabinet.

7. TROUBLESHOOTING



WARNING!
Refer to Safety chapters.

7.1 What to do if...

Problem	Possible cause	Solution
The appliance does not operate.	The appliance is switched off.	Switch on the appliance.
	The mains plug is not connected to the mains socket correctly.	Connect the mains plug to the mains socket correctly.
	There is no voltage in the mains socket.	Connect a different electrical appliance to the mains socket. Contact a qualified electrician.
The appliance is noisy.	The appliance is not supported properly.	Check if the appliance stands stable.
Audible or visual alarm is on.	The cabinet has been recently switched on or the temperature is still too high.	Refer to "Door Open Alarm" or "High Temperature Alarm".
	The temperature in the appliance is too high.	Refer to "Door Open Alarm" or "High Temperature Alarm".
	The door is left open.	Close the door.
A rectangular symbol is shown instead of numbers on the Temperature Display.	The temperature in the appliance is too high.	Contact a qualified electrician or contact the nearest Authorised Service Centre.
	Temperature sensor problem.	Contact the nearest Authorised Service Centre (the cooling system will continue to keep food products cold, but temperature adjustment will not be possible).
The lamp does not work.	The lamp is in stand-by.	Close and open the door.

Problem	Possible cause	Solution
The lamp does not work.	The lamp is defective.	Contact the nearest Authorised Service Centre.
The compressor operates continually.	Temperature is set incorrectly.	Refer to "Operation" chapter.
	Many food products were put in at the same time.	Wait some hours and then check the temperature again.
	The room temperature is too high.	Refer to climate class chart on the rating plate.
	Food products placed in the appliance were too warm.	Allow food products to cool to room temperature before storing.
	The door is not closed correctly.	Refer to "Closing the door".
	The FROSTMATIC function is switched on.	Refer to "FROSTMATIC function".
There is too much frost and ice.	The door is not closed correctly or the gasket is deformed/dirty.	Refer to "Closing the door".
The compressor does not start immediately after pressing the FROSTMATIC, or after changing the temperature.	This is normal, no error has occurred.	The compressor starts after a period of time.
Water flows on the floor.	The melting water outlet is not connected to the evaporative tray above the compressor.	Attach the melting water outlet to the evaporative tray.
Temperature cannot be set.	The FROSTMATIC or COOLMATIC function is switched on.	Switch off FROSTMATIC or COOLMATIC manually, or wait until the function resets automatically to set the temperature. Refer to "FROSTMATIC or COOLMATIC function".
There is no ice production.	The ice maker is not switched on.	Refer to "Switching on and off the ice maker".
DEMO appears on the display.	The appliance is in demonstration mode.	Keep the Mode pressed for approximately 10 seconds until a long sound is heard and display shuts off for a short time.

Problem	Possible cause	Solution
Door is misaligned or interferes with ventilation grill.	The appliance is not levelled.	Refer to "Levelling".
The temperature in the appliance is too low/too high.	The temperature regulator is not set correctly.	Set a higher/lower temperature.
	The food products' temperature is too high.	Let the food products temperature decrease to room temperature before storage.
	The door has been opened often.	Open the door only if necessary.
	The FROSTMATIC function is switched on.	Refer to "FROSTMATIC function".
	There is no cold air circulation in the appliance.	Make sure that there is cold air circulation in the appliance.
E1 is flashing the temperature display.	No water supply.	Carry out the necessary measures on the water supply. Press any button to reset the Alarm.
E2 is flashing in the temperature display.	The ice channel in the door is blocked.	Remove the obstacle. Press any button to reset the Alarm.
E3 or E5 is flashing in the temperature display.	The ice maker is defective.	Contact the nearest Authorised Service Centre.
Ice maker icon is flashing.	The ice container is in incorrect position.	Remove the ice container and place it correctly. Refer to "Removing the ice container".
A rattling noise.	The ice being stirred to prevent it from freezing together.	No measure necessary, this sound is normal. As an alternative, refer to "To activate the night mode".



If the advice does not lead to the desired result, contact the nearest Authorised Service Centre.

7.2 Closing the door

1. Clean the door gaskets.
2. If necessary, adjust the door. Refer to "Installation".
3. If necessary, replace the defective door gaskets. Contact the Authorised Service Centre.

7.3 Replacing the lamp

The appliance is equipped with a longlife LED interior light.

Only service is allowed to replace the lighting device. Contact your Authorised Service Centre.

8. INSTALLATION



WARNING!

Refer to Safety chapters.

8.1 Positioning

This appliance can be installed in a dry, well ventilated indoor where the ambient temperature corresponds to the climate class indicated on the rating plate of the appliance:

Climate class	Ambient temperature
SN	+10°C to + 32°C
N	+16°C to + 32°C
ST	+16°C to + 38°C
T	+16°C to + 43°C



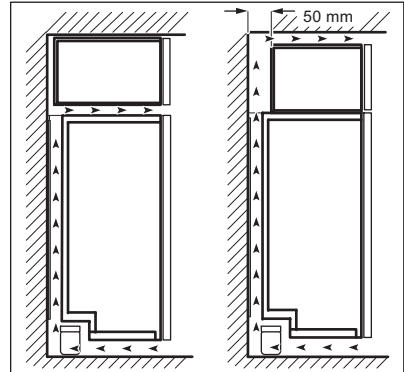
Some functional problems might occur for some types of models when operating outside of that range. The correct operation can only be guaranteed within the specified temperature range. If you have any doubts regarding where to install the appliance, please turn to the vendor, to our customer service or to the nearest Service Centre

8.2 Location

To ensure best performance, if the appliance is positioned below an overhanging wall unit, the minimum distance between the top of the cabinet and the wall unit must be at least 40 mm. Ideally, however, the appliance should not be positioned below overhanging wall units.

The ventilation space can be:

- directly above the appliance
- behind and above the top cupboard. In this case, the space behind the top cupboard must be at least 50 mm deep.



8.3 Electrical connection

- Before plugging in, ensure that the voltage and frequency shown on the rating plate correspond to your domestic power supply.
- The appliance must be earthed. The power supply cable plug is provided with a contact for this purpose. If the domestic power supply socket is not earthed, connect the appliance to a separate earth in compliance with current regulations, consulting a qualified electrician.
- The manufacturer declines all responsibility if the above safety precautions are not observed.
- This appliance complies with the E.E.C. Directives.

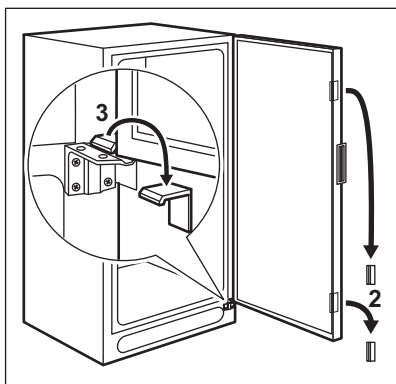
8.4 Removing the transport support

Your appliance is equipped with transport support to secure the door during transportation.

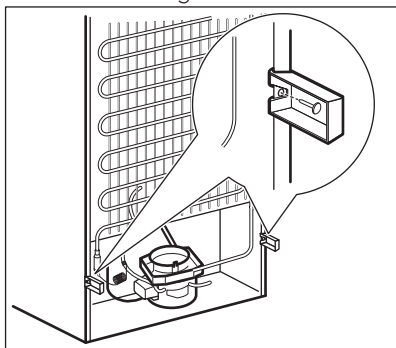
1. Open the door.
2. Remove the transport support from the door sides.
3. Remove the transport support from the lower hinge (some models).

**CAUTION!**

Some models are fitted with a silencing pad under the cabinet. Do not remove this pad.

**8.5 Rear spacers**

Install the two spacers and the locking pins provided within the accessory bag as shown in the figure.

**8.6 Connecting the water hose****WARNING!**

Always use a safety valve in the water connection.

Water supply should be provided with a tap and 3/4" male connector within 1,5 m from the appliance.

This work is to be carried out by a skilled plumber.

There are different type-approved taps and tap assemblies on the market.

The water hose must not be cracked, squeezed or put in tight bends.

If the appliance has been purchased together with the corresponding fridge the installation should be conducted in such a way that both appliances share the safety valve supplied with the fridge.

If this appliance has been purchased as a single installation or together with an appliance without water connection, a safety valve (1504516-00/4) must be installed. This item can be ordered via www.electrolux.com

Before the appliance is placed in final location, ensure that the water connection has been correctly carried out and that there is no leakage at the connection to the water tap.

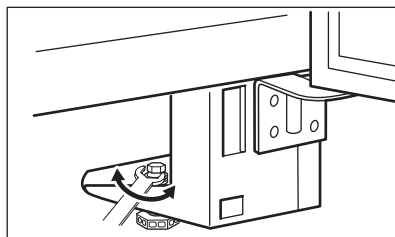
Tighten the screw enough by hand.

Make sure that the gasket is properly positioned in the connector.

We recommend that the appliance is placed on a "run-off" mat intended for refrigerators and freezers, which makes it easier to detect possible leakage.

8.7 Levelling

When placing the appliance ensure that it stands level. If necessary adjust the feet using the adjustment spanner supplied. Door alignment is dependent on proper levelling.

**8.8 Starting the ice maker for the first time**

Ensure proper connection to the water supply, refer to "Connecting the water hose".

It will start filling water when the temperature is sufficiently low.

1. Open the tap on the water connection.
 2. Start the freezer.
- The ice maker starts automatically.

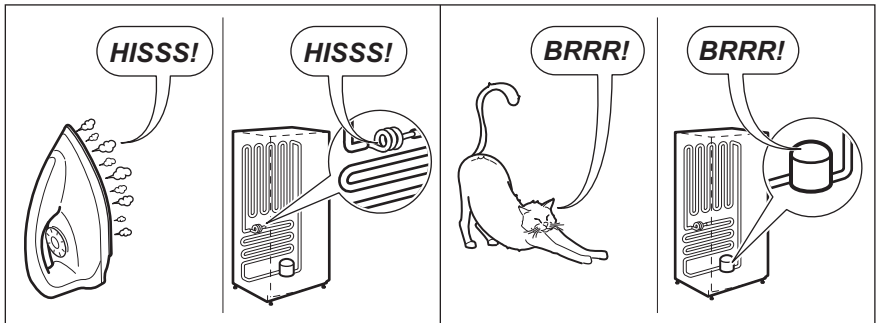
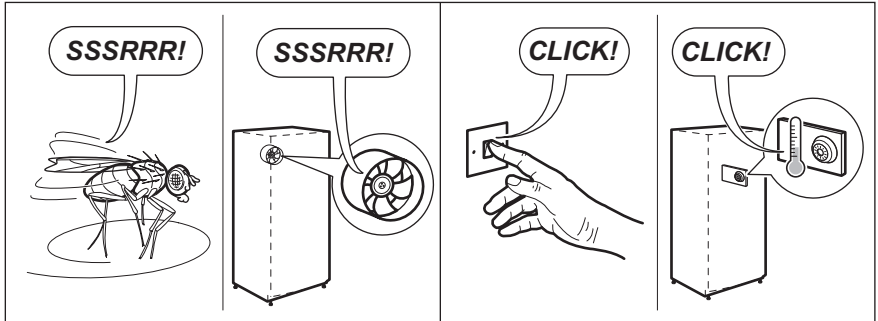
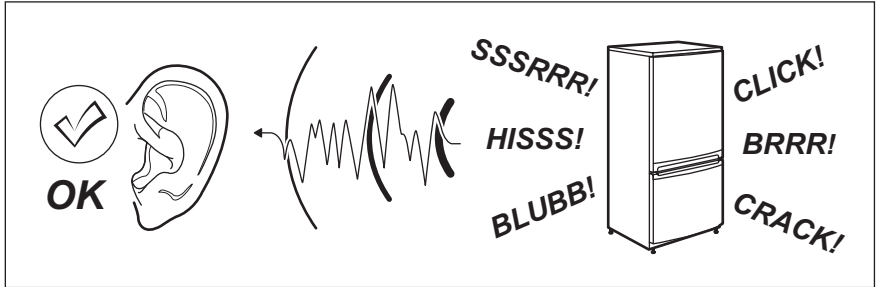
i Do not use ice produced during the first day to ensure fresh taste.

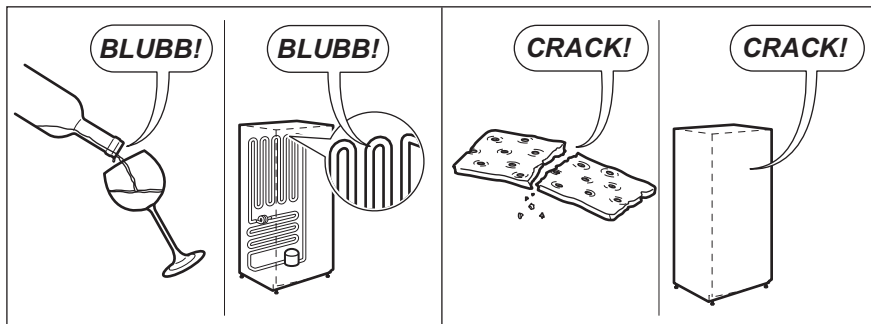
8.9 Door reversibility

In case you want to change the opening direction of the door, contact the nearest Authorised Service Centre. The Authorised Service specialist will carry out the reversibility of the doors at your cost.

9. NOISES

There are some sounds during normal running (compressor, refrigerant circulation).





10. TECHNICAL INFORMATION

10.1 Technical data

Height	mm	1800
Width	mm	595
Depth	mm	650
Rising time	Hours	10
Voltage	Volts	230 - 240
Frequency	Hz	50

The technical information are situated in the rating plate, on the external or internal side of the appliance and in the energy label.

10.2 Water pressure range


Water pressure range	
The water pressure must be at least 1 bar (100kPa)	Consult your installer if water pressure is less than 1 bar.
Highest allowed water pressure 10 bar (1000kPa)	If water pressure exceeds 10 bar a reduction valve must be fitted (available from your specialist shop).




CAUTION!

- Do not connect the appliance in spaces where ambient temperature can decrease to below freezing.
- The appliance may only be connected to drinking water supplies.
- The appliance may only be connected to cold water supplies.

11. ENVIRONMENTAL CONCERNS

Recycle the materials with the symbol . Put the packaging in applicable containers to recycle it. Help protect the environment and human health and to recycle waste of electrical and electronic appliances. Do not dispose appliances

marked with the symbol  with the household waste. Return the product to your local recycling facility or contact your municipal office.

SISÄLTÖ

1. TURVALLISUUSTIEDOT.....	22
2. TURVALLISUUSOHJEET.....	23
3. KÄYTTÖ.....	25
4. PÄIVITTÄINEN KÄYTTÖ.....	28
5. VIHJEITÄ JA NEUVOJA.....	30
6. HOITO JA PUHDISTUS.....	31
7. VIANMÄÄRITYS.....	32
8. ASENNUKSET.....	35
9. ÄÄNET.....	37
10. TEKNISEET TIEDOT.....	38

TÄYDELLISTEN TULOSTEN SAAVUTTAMISEKSI

Kiitämme teitä tämän AEG-tuotteen valitsemisesta. Olemme kehittäneet tämän tuotteen tarjotaksemme teille huipputason suorituskyvyn moneksi vuodeksi. Laitteen innovatiiviset teknologiat tekevät elämästänne yksinkertaisempaa – kyseisiä ominaisuuksia ei välttämättä löydy tavallisista laitteista. Käyttäkää muutama minuutti lukemiseen, jotta voitte hyödyntää laitteen ominaisuudet parhaalla mahdollisella tavalla.

Vieraile verkkosivullamme:



Saadaksesi käyttöön liittyviä neuvoja, esitteitä, vianmääritysohjeita ja huolto-ohjeita:

www.aeg.com/webservice



Tuotteen rekisteröimiseksi parempaa huoltoa varten:

www.registeraeg.com



Ostaaksesi laitteesi lisävarusteita, kulutusosia ja alkuperäisiä varaosia:

www.aeg.com/shop

ASIAKASPALVELU JA HUOLTO

Suosittellemme alkuperäisten varaosien käyttöä. Pidä seuraavat tiedot saatavilla ottaessasi yhteyttä valtuutettuun huoltoliikkeeseemme. Malli, tuotenumero, sarjanumero. Kyseiset tiedot löytyvät laitteen arvokilvestä.



Varoitukset/huomautukset ja turvallisuusohjeet



Yleisohjeet ja vinkit



Ympäristönsuojeluohjeita

Oikeus muutoksiin pidätetään.

1. ⚠️ TURVALLISUUSTIEDOT

Lue laitteen mukana toimitetut ohjeet ennen laitteen asennusta ja käyttöä. Valmistaja ei ota vastuuta henkilö- tai omaisuusvahingoista, jotka aiheutuvat laitteen virheellisestä asennuksesta tai käytöstä. Pidä ohjeet aina laitteen mukana tulevia käyttökertoja varten.

1.1 Lasten ja taitamattomien henkilöiden turvallisuus

- Vähintään 8 vuotta täyttäneet lapset ja sellaiset henkilöt, joiden fyysiset, sensoriset tai henkiset kyvyt eivät ole tähän riittäviä tai joilla ei ole laitteen tuntemusta tai kokemusta sen käytöstä, saavat käyttää tätä laitetta ainoastaan silloin, kun heidän turvallisuudestaan vastaava henkilö valvoo ja ohjaa heitä käyttämään laitetta turvallisesti ja ymmärtämään sen käyttöön liittyvät vaarat.
- Älä anna lasten leikkiä laitteella.
- Lapset eivät saa suorittaa puhdistusta tai huoltoa ilman valvontaa.
- Pidä kaikki pakkausmateriaalit lasten ulottumattomissa.

1.2 Yleiset turvallisuusohjeet

- Laite on tarkoitettu käytettäväksi kotiympäristöissä ja vastaavissa ympäristöissä, kuten:
 - henkilöstön kodinomainen keittiöympäristö liikkeissä, toimistoissa ja muissa työympäristöissä.
 - hotellien, motellien ja muiden majatalojen asiakkaiden kodinomainen käyttöympäristö.
- Pidä kalusteen sisään asennetun laitteen syvennyksen tai kalustekaapin ilmanvaihtoaukot vapaina.
- Älä yritä nopeuttaa sulatusta mekaanisilla tai muilla sellaisilla välineillä, joita valmistaja ei ole neuvonut käyttämään.
- Varo vahingoittamasta jäähdytysputkistoa.

- Älä käytä sähkölaitteita elintarvikkeiden säilytystiloissa, elleivät ne ole valmistajan suosittelemaa tyyppiä.
- Älä suihkuta vettä tai käytä höyryä laitteen puhdistamiseen.
- Puhdista laite kostealla pehmeällä liinalla. Käytä vain mietoja puhdistusaineita. Älä käytä hankausainetta, hankaavia pesulappuja, liuottimia tai metalliesineitä.
- Älä säilytä laitteessa räjähtäviä aineita, kuten syttyvien ponneaineiden aerosolipulloja.
- Jos virtajohto vaurioituu, sen saa vaaratilanteiden välttämiseksi vaihtaa vain valmistaja, huoltoliike tai vastaava ammattitaitoinen henkilö.
- Jos laitteessa on jääpalakone tai vesiautomaatti, täytä ne ainoastaan juomavedellä.
- Jos laite vaatii vesiliitännän, liitä se ainoastaan juomavesiverkostoon.
- Syöttöveden paineen tulee olla välillä (minimi- ja maksimiarvo) 1 bar (0,1 MPa) ja 10 bar (1 MPa)

2. TURVALLISUUSOHJEET

2.1 Asennus



VAROITUS!

Asennuksen saa suorittaa vain ammattitaitoinen henkilö.

- Poista kaikki pakkausmateriaalit.
- Vaurioitunutta laitetta ei saa asentaa tai käyttää.
- Noudata koneen mukana toimitettuja ohjeita.
- Siirrä laitetta aina varoen, sillä se on raskas. Käytä aina suojakäsineitä.
- Varmista, että ilmankierto on hyvä laitteen ympärillä.
- Odota vähintään 4 tuntia ennen kuin kytket laitteen sähköverkkoon. Täten öljy virtaa takaisin kompressoriiin.
- Älä asenna laitetta lämmittimien tai liesien, uunin tai keittotasojen lähelle.
- Laitteen takaosa on asetettava seinää kohden.
- Laitetta ei saa asentaa suoraan auringonvaloon.

- Älä asenna tätä laitetta liian kosteisiin tai kylmiin tiloihin, kuten rakennustelineisiin, autotalliin tai viinikellariin.
- Kun siirrät laitetta, nosta sitä etureunasta, jotta naarmuta lattiaa.

2.2 Sähköliitäntä



VAROITUS!

Tulipalo- ja sähköiskuvaara.

- Laite on kytkettävä maadoitettuun pistorasiaan.
- Varmista, että arvokilven sähkötiëdot vastaavat kotitalouden sähköverkon arvoja. Ota muussa tapauksessa yhteyttä sähköasentajaan.
- Kytke pistoke maadoitettuun pistorasiaan.
- Älä käytä jakorasioita tai jatkojohtoja.
- Varmista, etteivät sähköosat vaurioidu (esim. pistoke, virtajohto, kompressorii). Ota yhteyttä huoltoliikkeeseen tai sähköasentajaan sähköosien vaihtamiseksi.

- Virtajohdon on oltava aina pistokkeen alapuolella.
- Kytke pistoke pistorasiaan vasta asennuksen jälkeen. Varmista, että laitteen verkkovirtakytkentä on ulottuvilla laitteen asennuksen jälkeen.
- Älä vedä virtajohdosta pistoketta irrottaessasi. Vedä aina pistokkeesta.

2.3 Käyttö



VAROITUS!

Henkilövahinkojen, palovammojen tai sähköiskujen tai tulipalon vaara.

- Älä muuta laitteen teknisiä ominaisuuksia.
- Älä aseta sähkölaitteita (esim. jäätelökoneita) laitteeseen, ellei valmistaja ole antanut lupaa niiden käyttöön.
- Varo, ettei jäähdytysputkisto vaurioiduu. Se sisältää isobutaania (R600a), joka on hyvin ympäristöön yhteensopiva maakaasu. Kyseinen kaasu on syttyvää.
- Jos jäähdytysputkisto vaurioituu, varmista, ettei huoneessa ole avotulta ja sytytyslähkeitä. Huolehdi hyvästä ilmanvaihdosta.
- Älä anna kuumien esineiden koskea laitteen muoviosia.
- Älä aseta virvoitusjuomia pakastimeen. Muutoin juomasäiliöön muodostuu painetta.
- Älä säilytä tulenarkoja kaasuja tai nesteitä laitteessa.
- Älä aseta laitteeseen, sen lähelle tai päälle syttyviä tuotteita tai syttyviin tuotteisiin kostutettuja esineitä.
- Älä kosketa kompressorin tai lauhduttimeen. Ne ovat kuumia.
- Älä poista pakastimen tuotteita tai kosketa niihin, jos kätesi ovat märät tai kosteat.

- Älä pakasta uudelleen jo sulaneita elintarvikkeita.
- Noudata pakasteiden pakkauksessa olevia säilytysohjeita.

2.4 Hoito ja puhdistus



VAROITUS!

Virheellinen käyttö voi aiheuttaa henkilövahinkoja tai laitteen vaurioitumisen.

- Kytke laite pois toiminnasta ja irrota pistoke pistorasiasta ennen ylläpitotoimien aloittamista.
- Laitteen jäähdytysyksikkö sisältää hiilivetyä. Ainoastaan pätevä alan ammattilainen saa huoltaa yksikköä ja täyttää sen uudelleen.
- Tarkista laitteen poistoaukko säännöllisesti ja puhdistu se tarvittaessa. Jos poistoaukko on tukossa, sulanut vesi kerääntyy laitteen pohjalle.

2.5 Hävittäminen



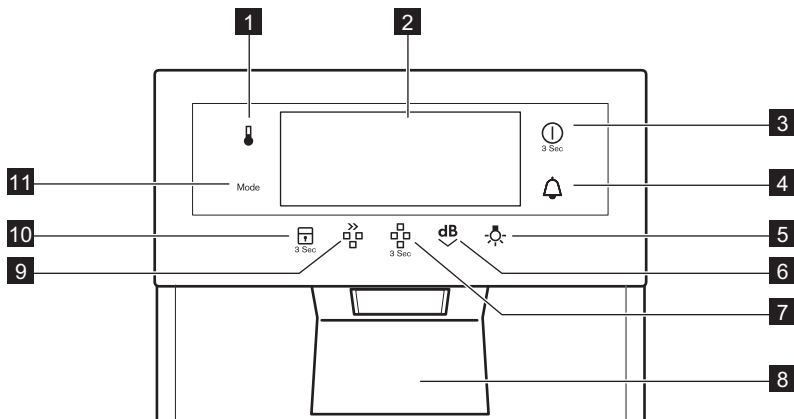
VAROITUS!

Henkilövahinko- tai tukehtumisvaara.

- Irrota pistoke pistorasiasta.
- Leikkaa johto irti ja hävitä se.
- Poista ovi, jotta lapset ja eläimet eivät voisi jäädä kiinni laitteen sisälle.
- Tämän laitteen jäähdytysputkistossa ja eristysmateriaaleissa ei ole otsonikerrokselle haitallisia aineita.
- Eristevaahto sisältää tulenarkaa kaasua. Kysy lisätietoa laitteen oikeaoppisesta hävittämisestä paikalliselta viranomaiselta.
- Älä vaurioita lämmönvaihtimen lähellä olevaa jääkaapin osaa.

3. KÄYTTÖ

3.1 Käyttöpaneeli

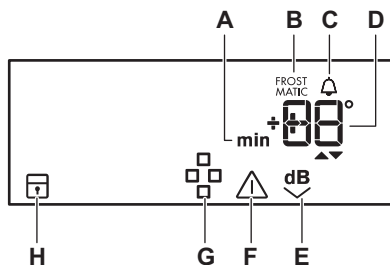


- | | | | |
|---|------------------------|----|-----------------------------|
| 1 | Lämpötilan painike | 7 | Jääpalakoneen virtapainike |
| 2 | Näyttö | 8 | Annosteluvipu |
| 3 | Virtapainike | 9 | Pikajääpalatoiminto-painike |
| 4 | Hälytysajastin-painike | 10 | Lapsilukko-painike |
| 5 | Valopainike | 11 | Mode -painike |
| 6 | Yötila-painike | | |

Esimääritetyt painikkeiden äänet voidaan asettaa korkeammiksi painamalla samanaikaisesti Mode-painiketta ja

lämpötilapainiketta muutaman sekunnin ajan. Asetusta voidaan säätää.

3.2 Näyttö



- A. Ajastin
- B. FROSTMATIC -toiminto
- C. Hälytinajastin
- D. Lämpötilan merkkivalo
- E. Yötila
- F. Hälytyksen merkkivalo
- G. Jääpalatoiminto
- H. Lapsilukko-toiminto

3.3 Laitteen käynnistäminen

1. Liitä pistoke pistorasiaan.

2. Paina ON/OFF-painiketta, jos näyttö ei ole päällä.

Hälytyksen äänimerkki saattaa kuulua muutaman sekunnin kuluttua. Katso hälytyksen kuittausohjeet kohdasta "Korkean lämpötilan hälytys".

Jos DEMO tulee näkyviin näyttöön, laite on esitystilassa. Lue ohjeet kohdasta "Käyttöhäiriöt".

Lämpötilanäytöt näyttävät asetetun oletuslämpötilan.



Jos haluat muuttaa lämpötila-asetusta, katso kohta "Lämpötilan säätäminen".

3.4 Laitteen kytkeminen pois toiminnasta

Paina painiketta ON/OFF 3 sekunnin ajan.

Näyttö sammuu.



Katkaise laitteen virta irrottamalla laitteen pistoke pistorasiasta.

3.5 Lämpötilan säätäminen

Lämpötilapainikkeilla voidaan säätää pakastimen lämpötila-asetuksia.

Oletuslämpötila:

- -18 °C pakastimeen

Lämpötilanäyttö näyttää asetetun lämpötilan.



Asetettu lämpötila saavutetaan 24 tunnin kuluessa. Asetettu lämpötila säilyy laitteen muistissa sähkökatkoksen jälkeen.

3.6 Jääpalatoiminto

Jääpalakone asetetaan päälle tehtaalla, ja se käynnistyy automaattisesti, kun laite liitetään vesi- ja sähköverkkoon.

Kytke toiminto päälle ja pois päältä painamalla jääpalakoneen ON/OFF-painiketta 3 sekunnin ajan.

Jääpalakoneen symboli näkyy, kun jääpalakone on käytössä.



Jääpalakoneen symboli vilkkuu, kun jääpalakone on pois käytöstä. Katso lisätietoa osiosta "Vianmääritys".

3.7 ChildLock -toiminto

Estä painikkeiden käyttäminen lapsilukolla valitsemalla ChildLock-toiminto.

1. Käynnistä toiminto painamalla painiketta ChildLock 3 sekunnin ajan.

ChildLock-merkkivalo syttyy.

2. Kytke toiminto pois päältä painamalla painiketta ChildLock 3 sekunnin ajan.

ChildLock-toiminnon merkkivalo sammuu.

3.8 FROSTMATIC -toiminto

Paina Mode-painiketta, kunnes FROSTMATIC-kuvake tulee näkyviin. Toiminto kytkeytyy automaattisesti pois toiminnasta 52 tunnin kuluttua. Voit kytkeä toiminnon pois päältä ennen sen automaattista päättymistä painamalla painiketta Mode toisen toiminnon valitsemiseksi tai painamalla painiketta Mode, kunnes mikään erityisistä kuvakkeista ei näy.



Toiminto voidaan sammuttaa muuttamalla pakastimen lämpötila-asetusta.

3.9 Hälytysajastin

Hälytysajastintoimintoa käytetään hälytyksen aktivoitumisajan asettamiseen, se on hyödyllinen esimerkiksi silloin, kun ruoka-aineita on jäädytettävä jonkin aikaa tai kun muistutus on tarpeen, ettei pulloja unohdeta pakastimeen pikajähdytyksen aikana.

1. Paina Hälytysajastin-painiketta. Hälytysajastin-merkkivalo syttyy.

Ajastin näyttää asetetun arvon (30 minuuttia).

2. Aseta ajastimen arvoksi 1–90 minuuttia painamalla lämpötilan painiketta.

Ajastimen merkkivalo syttyy. (min). Asetetun ajan päätyttyä Hälytysajastin-merkkivalo vilkkuu ja laitteesta kuuluu äänimerkki. Poista tällöin juomat pakastimesta ja paina Hälytysajastin-painiketta äänimerkin sammuttamiseksi ja toiminnon kytkemiseksi pois päältä.

Aika-asetusta voidaan muuttaa ajastuksen aikana ja sen päätyttyä painamalla lämpötilan painiketta.

Toiminto voidaan kytkeä pois päältä milloin tahansa ajanlaskennan aikana toistamalla toimenpide, kunnes Hälytysajastin-kuvake sammuu.

3.10 Korkean lämpötilan hälytys

Kun pakastimen sisälämpötila kohoaa (esimerkiksi sähkökatkon jälkeen tai kun ovi on auki):

- hälytyksen merkkivalo ja pakastimen lämpötilanäytöt vilkkuvat
- kuuluu äänimerkki.

Paina mitä tahansa painiketta. Äänimerkki sammuu.

Pakastimen lämpötilanäyttö näyttää korkeimman saavutetun lämpötilan muutaman sekunnin ajan. Tämän jälkeen näytössä näkyy uudelleen asetuslämpötila.

Hälytyksen merkkivalo vilkkuu, kunnes normaalit olosuhteet palautuvat.

3.11 Ovihälytys

Jos ovi on auki muutaman minuutin ajan, laitteesta kuuluu äänimerkki. Oven aukiolo ilmaistaan seuraavasti:

- vilkkuva hälytysmerkki
- äänimerkki.

Kun olosuhteet ovat palautuneet normaaleiksi (ovi suljettu), äänimerkki sammuu.

Hälytyksen aikana merkkiääni voidaan sammuttaa painamalla mitä tahansa käyttöpaneelin painiketta.

3.12 Valaistus

Jääannostelijan valo syttyy automaattisesti kun toimintoa käytetään.

3.13 Pysyvä valo

Varmista, ettei jääannostelija ole lukittu.

Paina valopainiketta, jolloin valo syttyy. Valon kirkkaus on tällöin 20 % normaalista tasosta, kunnes annostelijaa käytetään.

3.14 Valon sammuttaminen

Varmista, ettei jääannostelija ole lukittu.

Paina valopainiketta, jolloin valo sammuu.

3.15 Yötila

Tämän toiminnon avulla jääpalojen valmistus kytketään pois päältä päivän pimeimpänä aikana.

Yötila voidaan kytkeä päälle tai pois päältä painamalla yötilan painiketta. Yötilan symboli näkyy, kun yötila on käytössä.

3.16 Jään annosteleminen

Jään annostelu käynnistyy, kun vipu painetaan kokonaan sisään, ja jatkuu vivun vapauttamiseen asti.

Jääntulo lakkaa, kun astia poistetaan annosteluvivulta.

3.17 Jään nopea annosteleminen

Jos jäätä halutetaan annostella enemmän, paina Pikajääpalatoimintopainiketta ja pidä sitä alhaalla painamalla samalla annosteluvivua.

4. PÄIVITTÄINEN KÄYTTÖ



VAROITUS!

Lue turvallisuutta koskevat luvut.

4.1 Tuoreiden elintarvikkeiden pakastaminen

Pakastinosasto soveltuu tuoreiden elintarvikkeiden pakastamiseen sekä valmispakasteiden pitkäaikaiseen säilyttämiseen.

Kun pakastat pieniä määriä tuoreita elintarvikkeita, asetusta ei tarvitse muuttaa.

Kun pakastat tuoretta ruokaa, aktivoi FROSTMATIC-toiminto vähintään 24 tuntia ennen elintarvikkeiden asettamista pakastinosastoon.

Aseta pakastettavat elintarvikkeet mihin tahansa pakastinlaatikkoon alinta lukuun ottamatta.

24 tunnin aikana pakastettavien elintarvikkeiden enimmäismäärä on merkitty arvokilpeen, joka sijaitsee laitteen sisäpuolella.

Pakastusprosessi kestää 24 tuntia: tänä aikana pakastimeen ei saa lisätä uusia pakastettavia ruokia.

Kun pakastaminen on päättynyt, palauta lämpötila normaaliin säilytyslämpötilaan (katso kohta "FROSTMATIC-toiminto").

4.2 Pakasteiden säilyttäminen

Kun käytät pakastinta ensimmäistä kertaa tai pitkän käyttämättömän jakson jälkeen, anna laitteen toimia vähintään 2 tunnin ajan ennen tuotteiden asettamista pakastimeen.

Pakastuskorien ansiosta löydät haluamasi pakkauksen helposti ja nopeasti. Jos pakastat suuren määrän elintarvikkeita, poista kaikki laatikot alakoria lukuun ottamatta. Alakorin on oltava paikallaan, jotta ilmankierto toimii asianmukaisesti.

Elintarvikkeet voivat tulla 15 mm ulos ovesta kaikilla hyllyillä ylintä hyllyä lukuun ottamatta.



Jos pakastin sulaa vahingossa esimerkiksi sähkökatkon vuoksi, kun sähkö on ollut poikki pitempään kuin teknisissä ominaisuuksissa (kohdassa Käyttöönottoaika) mainitun ajan, sulaneet elintarvikkeet on käytettävä nopeasti tai valmistettava ruoaksi, jonka jälkeen ne voidaan pakastaa uudelleen (kun ne ovat jäähtyneet).

4.3 Sulatus

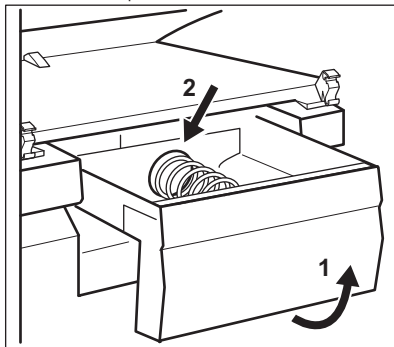
Pakasteet voidaan sulattaa ennen käyttöä jääkaapissa tai huoneen lämpötilassa riippuen siitä, kuinka nopeasti niitä tarvitaan.

Pienempiä paloja voidaan kypsentää myös jäisinä suoraan pakastimesta otettuna. Kypsennys kestää tässä tapauksessa pitempään.

4.4 Jääpalasäiliön poistaminen

Jääpalasäiliö voidaan poistaa.

1. Kallista ylös ja vedä jääpalasäiliö ulos. Kun jääpalasäiliö on otettu ulos, jääpalakoneen kaikki toiminnot keskeytyvät.
2. Uudelleen asennuksen yhteydessä jääpalasäiliön syöttöruuvi on (tarvittaessa) sovitettava selustassa olevaan pidikkeeseen.

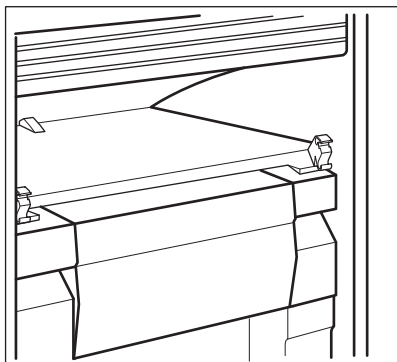


4.5 Jääpalakoneen yläpuolella oleva hylly

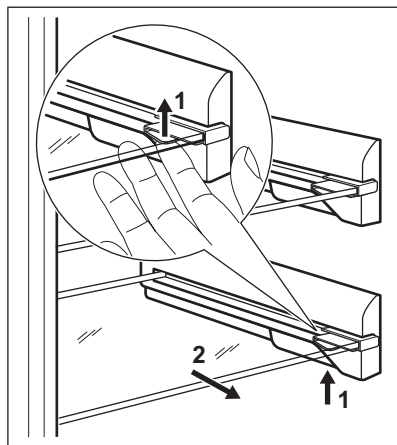


HUOMIO!

Jääpalakoneen yläpuolella olevaa hyllyä ei voi poistaa.

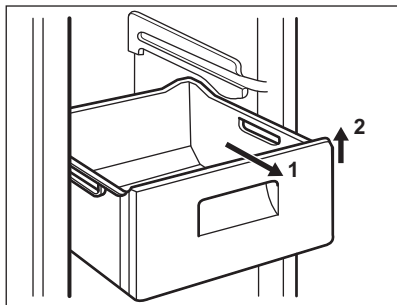


Hyllyjä on nostettava ylöspäin (1) molemmilta puolilta ja vedettävä sen jälkeen ulospäin (2).



4.6 Pakastuslaatikoiden ja lasihyllyjen poistaminen pakastimesta

Pakastuslaatikoissa on pysäytin, joka estää laatikoiden irtoamisen ja putoamisen vahingossa. Kun haluat poistaa laatikon kokonaan pakastimesta, vedä laatikkoa itseäsi päin pysäyttimeen saakka ja ota laatikko sen jälkeen pois kallistamalla sen etuosaa ylöspäin.



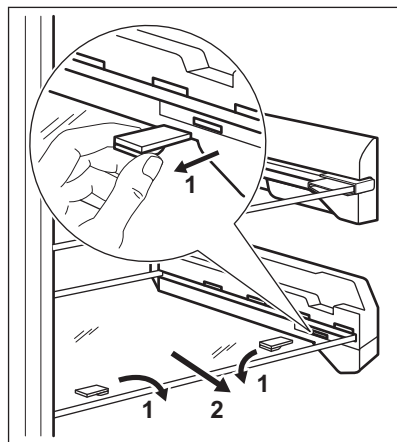
Laatikko asetetaan takaisin paikalleen nostamalla kevyesti sen etuosasta siten, että laatikko menee pakastimen sisään. Kun laatikko on mennyt pysäyttimien ohi, työnnä se paikalleen.

Laitteessa on hyllyjen pysäyttimet hyllyjen pitämiseksi paikoillaan.

Lasihyllyt, joissa liukukiskot on kiinnitetty lukitustapeilla.

Poista ne löysäämällä lukitustappeja liukukiskojen molemmilta puolilta. Käytä tarvittaessa ruuvimeisseliä.

Vedä sen jälkeen molemmat lukitustapit (1) ulos ja vedä lasihyllyä ulospäin (2).

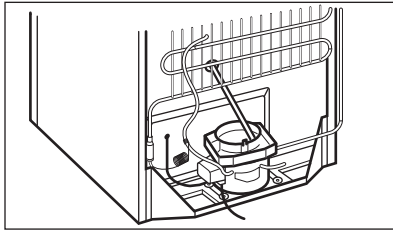


4.7 Sisätilan puhdistaminen

1. Ennen kuin otat laitteen käyttöön, pese sisäosat ja kaikki kaapin sisälle sijoitettavat varusteet haalealla vedellä ja käsitiskiaineella

poistaaksesi uudelle laitteelle tyypillisen hajun. Kuivaa pinnat ja varusteet lopuksi huolellisesti.

2. Tarkista, että laitteen takana oleva poistoputki tyhjentää veden kaukaloon.



HUOMIO!

Älä käytä puhdistusaineita tai hankaavia jauheita, sillä ne vahingoittavat pintoja.

5. VIHJEITÄ JA NEUVOJA

5.1 Normaalin toiminnan äänet

Seuraavat äänet ovat normaaleja käytön aikana:

- Kevyt loriseva tai pulputtava ääni jäähdytysaineen kierron aikana.
- Huriseva ja sykkivä ääni kompressorista jäähdytysaineen kierron aikana.
- Äkillinen rätisevä lämpölaajenemisen aiheuttama ääni laitteen sisältä (luonnollinen ja vaaraton ilmiö).
- Kevyt napsahdusääni lämpötilan säätimestä kompressorin kytketyssä päälle tai pois päältä.

5.2 Energiansäästövinkejä

- Älä avaa ovea usein äläkä pidä ovea auki pitempään kuin on tarpeen.
- Jos se ennakoidaan, älä poista kylmävaraajia pakastimen korista.

5.3 Pakastusohjeita

Seuraavassa on muutamia tärkeitä ohjeita tehokkaan pakastamisen varmistamiseksi:

- 24 tunnin aikana pakastettavien elintarvikkeiden enimmäismäärä on merkitty arvokilpeen.
- Ruokien pakastuminen kestää 24 tuntia. Tänä aikana pakastimeen ei saa lisätä uusia pakastettavia ruokia.
- Pakasta vain korkealaatuisia, tuoreita ja puhdistettuja elintarvikkeita.

- Jaa ruoka pieniin annoksiin, jotta se pakastuu nopeasti ja täydellisesti. Tällöin voit myöhemmin sulattaa vain tarvitsemasi määrän.
- Kääri elintarvikkeet alumiinifolioon tai pakkaa muovipusseihin mahdollisimman ilmatiiviisti.
- Älä anna tuoreiden pakastamattomien ruokien koskea jo pakastuneita tuotteita, jotta niiden lämpötila ei nouse.
- Vähärasvaiset elintarvikkeet säilyvät paremmin ja pitempään rasvaisiin ruokiin verrattuna. Suola vähentää elintarvikkeiden säilytysaikaa.
- Jos jääpaloja nautitaan suoraan pakastimesta otettuina, ne voivat aiheuttaa kylmävammoja.
- Merkitse pakastuspäivämäärä kaikkiin pakkauksiin, jotta voit helposti seurata säilytysaikojä.

5.4 Pakasteiden säilytysohjeita

Noudata seuraavia ohjeita varmistaaksesi laitteen parhaan suorituskyvyn:

- Tarkista, että kaupasta ostamasi pakasteet on säilytetty oikein.
- Laita pakasteet pakastimeen mahdollisimman nopeasti ostoksilla käynnin jälkeen.
- Älä avaa ovea usein, älä myöskään pidä ovea auki pitempään kuin on tarpeen.
- Sulatettu pakaste pilaantuu nopeasti eikä sitä saa pakastaa uudelleen.

- Älä käytä tuotetta pakkaukseen merkityn viimeisen käyttöpäivän jälkeen.

6. HOITO JA PUHDISTUS



VAROITUS!

Lue turvallisuutta koskevat luvut.

6.1 Yleiset varoitukset



HUOMIO!

Kytke laite irti verkkovirrasta ennen minkäänlaisten puhdistustoimenpiteiden suorittamista.



Laitteen jäähdytysyksikkö sisältää hiilivetyä. Jäähdytysyksikön huollon ja täytön saa suorittaa ainoastaan valtuutettu huoltomekaanikko.



Jääkaapin varusteita ja osia ei saa pestä astianpesukoneessa.

6.2 Säännöllinen puhdistus



HUOMIO!

Älä vedä, siirrä tai vahingoita kaapin sisällä olevia putkia ja kaapeleita.



HUOMIO!

Varo vahingoittamasta jäähdytysjärjestelmää.



HUOMIO!

Kun siirät laitetta, nosta sitä etureunasta, jottet naarmuta lattiaa.

Laitte on puhdistettava säännöllisesti.

1. Puhdista sisäosa ja varusteet lämpimällä vedellä ja käsitiskiaineella.
2. Tarkista oven tiivisteet säännöllisesti ja pyyhi ne puhtaaksi.
3. Huuhtelee ja kuivaa huolellisesti.
4. Jos mahdollista, puhdista laitteen takaosassa sijaitsevat lauhdutinj ja kompressorin harjalla.

Tämä toimenpide parantaa laitteen suorituskykyä ja säästää energiaa.

6.3 Jääpalakoneen puhdistaminen

Puhdista tarvittaessa vain pehmeällä liinalla ja lämpimällä vedellä annostelijan ja jääpalasäiliön ulkoapäin käden ulottuvilla olevat pinnat.

Tarkista, että jääpalasäiliö on täysin kuiva ennen kuin se asennetaan takaisin paikalleen.



HUOMIO!

Älä käytä puhdistusaineita tai hankaavia aineita.

6.4 Pakastimen sulattaminen

Pakastinosasto on huurtumaton. Tämä merkitsee sitä, että huurretta ei muodostu laitteen toiminnan aikana pakastinosaston sisäisiin eikä pakkausten päälle.

Huurtumattomuus perustuu automaattisesti ohjattuun puhaltimeen, joka kierrättää kylmää ilmaa jatkuvasti osaston sisällä.

6.5 Jos laitetta ei käytetä pitkään aikaan

Jos laitetta ei ole tarkoitus käyttää pitkään aikaan, suorita seuraavat toimenpiteet:

1. Sammuta jääpalakone.
2. Sulje vesihana.
3. Tyhjennä jääpalasäiliö.
4. Kytke laite irti verkkovirrasta.
5. Ota kaikki ruoat pois.
6. Puhdista laite ja kaikki lisävarusteet.
7. Jätä ovi/ovet raolleen, jotta laitteen sisälle ei muodostu epämiellyttävää hajua.

Kun jääpalakone käynnistetään uudelleen, älä käytä jääpalatoimintoa

ensimmäisen vuorokauden aikana, jotta maku olisi raikas.



VAROITUS!

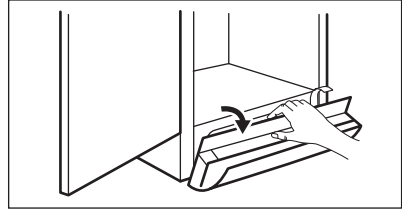
Jos jätät laitteen päälle, pyydä jotakin toista henkilöä tarkistamaan kaappiin jätetyt elintarvikkeet aika ajoin, jotta ne eivät pilaannu esimerkiksi sähkökatkon sattuessa.

6.6 Ilmanvaihtosäleikön puhdistaminen

Varmista, että ovi on auki.

Ilmanvaihtosäleikkö voidaan irrottaa puhdistamista varten.

1. Löysää säleikön reunaa vetämällä sitä kuvan mukaisesti.



2. Vedä säleikköä suoraan ulos, jotta se irtoaa kokonaan.
3. Imuroi laitteen alus.

7. VIANMÄÄRITYS



VAROITUS!

Lue turvallisuutta koskevat luvut.

7.1 Käyttöhäiriöt

Ongelma	Mahdollinen syy	Korjaustoimenpide
Laitte ei toimi lainkaan.	Virta on katkaistu laitteesta.	Kytke laitteeseen virta.
	Pistoke ei ole kunnolla kiinni pistorasiassa.	Kiinnitä pistoke oikein pistorasiaan.
	Pistorasiaan ei tule jännitettä.	Kokeile kytkemällä pistorasiaan jokin toinen sähkölaite. Ota yhteys sähköasentajaan.
Laitteen käyntiääni on kova.	Laitetta ei ole tuettu kunnolla paikalleen.	Tarkista, onko laite vakaa.
Äänimerkki tai visuaalinen hälytys on päällä.	Pakastin on juuri kytketty päälle tai lämpötila on vielä liian korkea.	Katso kohta "Ovihälytys" tai "Korkean lämpötilan hälytys".
	Laitteen lämpötila on liian korkea.	Katso kohta "Ovihälytys" tai "Korkean lämpötilan hälytys".
	Ovi on jätetty auki.	Sulje luukku.
	Laitteen lämpötila on liian korkea.	Ota yhteyttä pätevään sähköasentajaan tai paikalliseen valtuutettuun huoltopalveluun.

Ongelma	Mahdollinen syy	Korjaustoimenpide
Lämpötilanäytössä näkyy suorakulmio numeroiden sijaan.	Lämpötila-anturin häiriö.	Ota yhteys valtuutettuun huoltoliikkeeseen (jäähdytysjärjestelmä pitää elintarvikkeet kylminä, mutta lämpötilaa ei voi säätää).
Valo ei syty.	Lamppu on valmiustilassa.	Sulje ja avaa ovi.
Valo ei syty.	Lamppu on palanut.	Ota yhteyttä valtuutettuun huoltoliikkeeseen.
Kompressorikäy jatkuvasti.	Lämpötila on asetettu virheellisesti.	Lue ohjeet Käyttö-luvusta.
	Laitteeseen on pantu monia elintarvikkeita samanaikaisesti.	Odota muutama tunti ja tarkista lämpötila uudelleen.
	Huoneen lämpötila on liian korkea.	Katso ilmastoluokan taulukko arvokilvestä.
	Ruoka on pantu kodinkoneeseen liian lämpimänä.	Anna ruoan jäähtyä huoneen lämpötilaan ennen pakastamista.
	Ovi ei ole kunnolla kiinni.	Lue ohjeet kohdasta "Oven sulkeminen".
	FROSTMATIC-toiminto on kytkettyä.	Katso kohta "FROSTMATIC-toiminto".
Laitteessa on liikaa huurretta ja jäätä.	Ovea ei ole suljettu oikein tai tiiviste on epämuodostunut/likainen.	Lue ohjeet kohdasta "Oven sulkeminen".
Kompressor ei käynnisty heti FROSTMATIC-painikkeen painamisen tai lämpötilan muuttamisen jälkeen.	Tämä on normaalia, eikä tarkoita vikaa.	Kompressor käynnistyy jonkin ajan kuluttua.
Vettä valuu lattialle.	Sulatusvesiaukkoa ei ole liitetty kompressorin yläpuolella olevaan haihdutusastiaan.	Kiinnitä sulatusveden poistoputki haihdutusastiaan.
Lämpötilaa ei voi säätää.	FROSTMATIC tai COOLMATIC-toiminto on kytketty päälle.	Kytke FROSTMATIC tai COOLMATIC pois päältä manuaalisesti tai odota, kunnes toiminto nollautuu automaattisesti lämpötilan asettamiseksi. Katso kohta "FROSTMATIC-tai COOLMATIC-toiminto".

Ongelma	Mahdollinen syy	Korjaustoimenpide
Laite ei valmista jäätä.	Jääpalakone ei ole päällä.	Katso kohta "Jääpalakoneen kytkeminen toimintaan ja pois toiminnasta".
DEMO tulee näkymään näyttöön.	Laite on esitystilassa.	Pidä Mode-painiketta painettuna noin 10 sekunnin ajan, kunnes kuulet pitkän äänimerkin ja näyttö sammuu lyhyeksi ajaksi.
Ovi on kohdistettu virheellisesti tai se on ilmanvaihtosäleikön tiellä.	Laite ei ole oikein tasapainotettu.	Katso kohta "Tasapainottaminen".
Laitteen lämpötila on liian alhainen tai korkea.	Lämpötilaa ei ole säädetty oikein.	Säädä lämpötila korkeammaksi/alhaisemmaksi.
	Ruoat ovat liian lämpimiä.	Anna ruokien lämpötilan laskea huoneen lämpötilaan ennen kuin laitat ruoat laitteeseen.
	Ovea on avattu liian usein.	Avaa ovi vain tarvittaessa.
	FROSTMATIC-toiminto on kytkettyä.	Katso kohta "FROSTMATIC-toiminto".
	Laitteen kylmän ilman kierto ei toimi.	Tarkista kylmän ilman kierto.
E1 vilkkuu lämpötilanäytössä.	Vedensyöttö on estynyt.	Korjaa vedensyöttö. Voit nollata hälytyksen painamalla mitä tahansa painiketta.
E2 vilkkuu lämpötilanäytössä.	Ovessa oleva jääpalojen kulkureitti on tukossa.	Poista tukos. Voit nollata hälytyksen painamalla mitä tahansa painiketta.
E3 tai E5 vilkkuu lämpötilanäytössä.	Jääpalakone on viallinen.	Ota yhteyttä valtuutettuun huoltoliikkeeseen.
Jääpalakoneen symboli vilkkuu.	Jääpalasäiliö on virheellisesti asennossa.	Poista jääpalasäiliö ja aseta se oikein paikoilleen. Katso kohta "Jääpalasäiliön poistaminen".
Koliseva ääni.	Laite sekoittaa jääpalasia, jotta palaset eivät jäädy kiinni toisiinsa.	Ei toimenpiteitä, normaali ääni. Voit myös katsoa kohtaa "Yötilan käyttöönotto".



Jos ongelmaa ei ratkaista ohjeiden avulla, ota yhteyttä paikalliseen valtuutettuun huoltoliikkeeseen.

7.2 Oven sulkeminen

1. Puhdista oven tiivisteet.
2. Säädä ovea tarvittaessa. Lue ohjeet kohdasta "Asennus".

3. Vaihda tarvittaessa vaurioituneet oven tiivisteet. Ota yhteyttä valtuutettuun huoltoliikkeeseen.

7.3 Lampun vaihtaminen

Laitteessa on pitkäikäinen LED-sisävalo.

Vain huoltoliike saa vaihtaa lampun. Ota yhteys valtuutettuun huoltoliikkeeseen.

8. ASENNUS



VAROITUS!

Lue turvallisuutta koskevat luvut.

8.1 Sijoittaminen

Asenna tämä laite kuivaan ja hyvin tuuletettuun sisätilaan, jossa ympäristön lämpötila vastaa laitteen arvokilvessä mainittua ilmastoluokkaa:

Ilmasto- luokka	Ympäristölämpötila
SN	+10°C – 32°C
N	+16 °C – 32°C
ST	+16 °C – 38°C
T	+16 °C – 43 °C



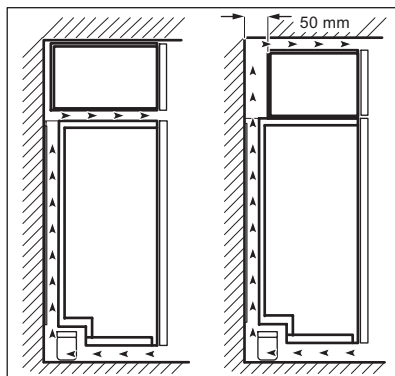
Joissakin malleissa voi esiintyä toiminnallisia ongelmia, jos niitä käytetään kyseisen käyttövälin ulkopuolella. Virheetön toiminta taataan vain määritetyllä lämpötilavälillä. Jos laitteen asennuspaikan valitsemisessa on epäselvyyksiä, käänny jälleenmyyjän, asiakaspalvelumme tai lähimmän huoltopalvelun puoleen.

8.2 Sijainti

Jos laite sijoitetaan kalusteen alapuolelle, parhaan suorituskyvyn varmistamiseksi laitteen yläosan ja kalusteen välisen vähimmäisvälimatkan on oltava 40 mm. Laitetta ei kuitenkaan suositella asennettavaksi kalusteiden alapuolelle.

Tila ilmanvaihtoa varten voi olla:

- heti laitteen yläpuolella
- yläkalusteen takana ja yläpuolella. Tällöin kalusteen takana on oltava vähintään 50 mm tilaa.



8.3 Sähköliitäntä

- Ennen kuin kytket laitteen verkkovirtaan, tarkista, että arvokilvessä mainittu jännite ja taajuus vastaavat verkkovirran arvoja.
- Laite on kytkettävä maadoitettuun pistorasiaan. Virtajohdon pistoke on varustettu maadoituskoskettimella. Jos pistorasia, johon laite kytketään, ei ole maadoitettu, ota yhteys sähköasentajaan ja pyydä asentajaa kytkemään laite erilliseen maadoitusliittimeen voimassa olevien määräysten mukaisesti.
- Valmistaja ei vastaa millään tavalla vahingoista, mikäli edellä olevia turvallisuusohjeita ei ole noudatettu.
- Tämä kodinkone täyttää EEC-direktiivien vaatimukset.

8.4 Kuljetustukien irrottaminen

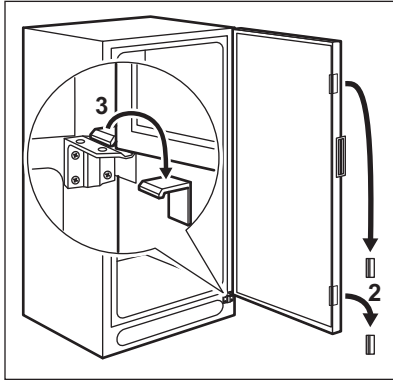
Laitteessa on kuljetustuki, joka pitää oven paikallaan kuljetuksen aikana.

1. Avaa ovi.
2. Poista kuljetustuki oven reunoilta.
3. Poista kuljetustuki alasarana (mallikohtainen).



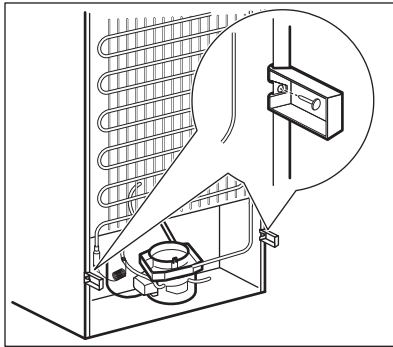
HUOMIO!

Joissain malleissa laitteen alla on vaimennustyyny. Älä poista sitä.



8.5 Takaosan välikappalet

Kiinnitä varustepussista löytyvät kaksi välikappaletta ja lukitustapit kuvan mukaisesti.



8.6 Vesiletkun liittäminen



VAROITUS!

Käytä vesiliitännässä aina varoventtiiliä.

Vesijohtojärjestelmässä on oltava hana ja 3/4" -urosliitin 1,5 m metrin päässä laitteesta.

Toimenpiteen saa suorittaa vain pätevä putkiasentaja.

Markkinoilla on erilaisia tyyppihyväksytyjä hanoja ja hanasarjoja.

Vesiletkussa ei saa olla murtumia, puristumia eikä se saa olla kierteellä.

Jos olet hankkinut tämän laitteen vastaavan jääkaapin kanssa, asennus tulee suorittaa niin, että molemmat laitteet käyttävät jääkaapin mukana toimitettua varoventtiiliä.

Jos olet hankkinut tämän laitteen yksittäisenä asennuksena tai yhdessä sellaisen laitteen kanssa, jossa ei ole vesiliitäntää, varoventtiili (1504516-00/4) on asennettava. Kyseinen osa voidaan tilata osoitteesta www.electrolux.com.

Ennen laitteen sijoittamista lopulliseen asennuspaikkaan on varmistettava, että vesiliitäntä on suoritettu oikein ja ettei vesihanaliitännässä ole vuotoja.

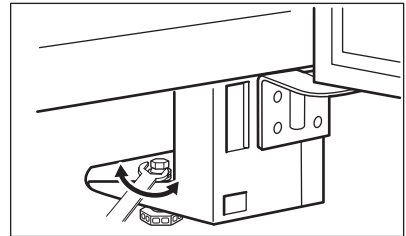
Kiristä ruuvi riittävästi käsin.

Varmista, että tiiviste on asennettu oikein liitimeen.

Suosittelemme, että laite sijoitetaan jääkaapeille/pakastimille tarkoitettun turvakaukalon päälle, jotta mahdolliset vuodot on helpompi havaita.

8.7 Tasapainotus

Kun sijoitat laitteen paikalleen, tarkista, että se on vaakatasossa. Säädä jalkoja tarvittaessa mukana toimitetulla ruuviavaimella. Oven oikean kohdistuksen edellytyksenä on laitteen kunnollinen tasapainottaminen.



8.8 Jääpalakoneen käyttöönnotto

Varmista, että vesiliitäntä on suoritettu oikein. Katso kohta "Vesiletkun liittäminen".

Vedentäyttö alkaa, kun lämpötila laskee riittävän alas.

1. Avaa vesiliitäntän hana.
2. Käynnistä pakastin.
Jääpalakone käynnistyy automaattisesti.

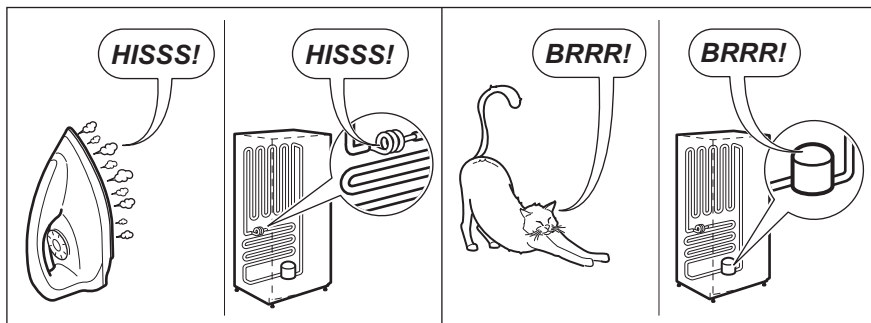
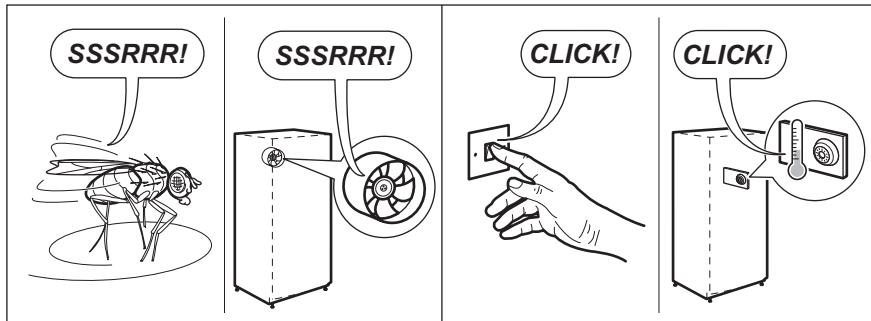
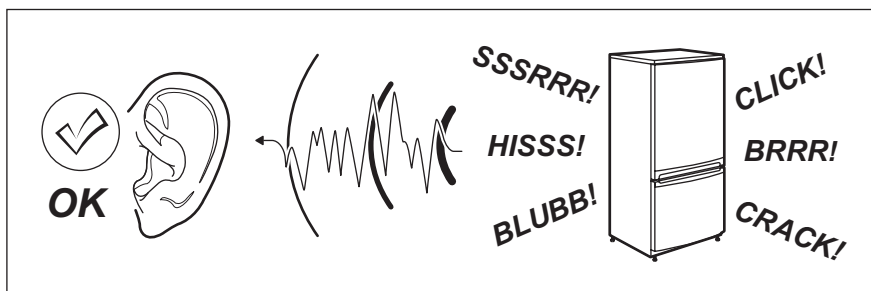
i Älä käytä jääpalatoimintoa ensimmäisen vuorokauden aikana, jotta maku olisi raikas.

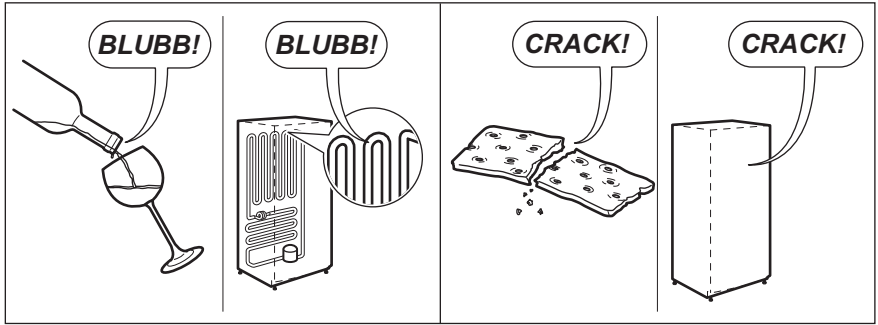
8.9 Oven kätsyyden vaihtaminen

Jos haluat vaihtaa oven kätsyyden, ota yhteys paikalliseen valtuutettuun huoltoliikkeeseen. Valtuutetun huoltoliikkeen ammattitaitoinen asentaja vaihtaa oven kätsyyden korvausta vastaan.

9. ÄÄNET

Tietynlaiset äänet kuuluvat laitteen normaaliin toimintaan (kompressori, jäähdytysaineen kierto).





10. TEKNISET TIEDOT

10.1 Tekniset tiedot

Korkeus	mm	1800
Leveys	mm	595
Syvyys	mm	650
Käyttöönottoaika	tuntia	10
Jännite	V	230 - 240
Taajuus	Hz	50

Tekniset tiedot on merkitty laitteen ulkopuolelle tai sisäpuolelle kiinnitettyyn arvokilpeen ja energiatarraan.



10.2 Vedenpaine

Vedenpaine	
Vedenpaineen on oltava vähintään yksi baaria (100 kPa).	Neuvottele asentajan kanssa, jos vedenpaine on alle yhden baarin.
Vedenpaineen korkein sallittu arvo on kymmenen baaria (1000 kPa).	Jos vedenpaine on yli kymmenen baaria, laitteeseen on asennettava paineenalennusventtiili (voidaan hankkia erikoisliikkeestä).

**HUOMIO!**

- Älä liitä laitetta vesijohtoputkeen tiloissa, joissa ympäristölämpötila voi laskea jäätympisteen alle.
- Laite tulee liittää vain juomavesiputkeen.
- Laite tulee liittää vain kylmään vesijohtoputkeen.

11. YMPÄRISTÖNSUOJELU

Kierrätä materiaalit, jotka on merkitty merkillä . Kierrätä pakkaus laittamalla se asianmukaiseen kierrätysastiaan. Suojele ympäristöä ja ihmisten terveyttä kierrättämällä sähkö- ja elektroniikkaromut. Älä hävitä merkillä .

merkittyjä kodinkoneita kotitalousjätteen mukana. Palauta tuote paikalliseen kierrätyskeskukseen tai ota yhteyttä paikalliseen viranomaiseen.

INNEHÅLL

1. SÄKERHETSINFORMATION.....	41
2. SÄKERHETSFÖRESKRIFTER.....	42
3. ANVÄNDNING.....	44
4. DAGLIG ANVÄNDNING.....	46
5. RÅD OCH TIPS.....	48
6. SKÖTSEL OCH RENGÖRING.....	49
7. FELSÖKNING.....	51
8. INSTALLATION.....	53
9. BULLER.....	55
10. TEKNISK INFORMATION.....	57

FÖR PERFEKT RESULTAT

Tack för att du valt denna produkt från AEG. Vi har skapat den så att du ska kunna få felfritt resultat i många år, med innovativa tekniker som gör livet enklare – funktioner som du inte skulle hitta hos vanliga produkter. Varsågod att ägna några minuter åt att läsa detta för att få ut så mycket som möjligt av produkten. Besök vår webbplats för att:



Få tips om användning, broschyrer, felsökare, serviceinformation:
www.aeg.com/webservice



Registrera din produkt för bättre service:
www.registreaeg.com



Köp tillbehör, förbrukningsvaror och originalreservdelar till din produkt:
www.aeg.com/shop

KUNDTJÄNST OCH SERVICE

Vi rekommenderar att originalreservdelar används.

Ha följande uppgifter tillhands när du kontaktar serviceavdelningen. Modell, PNC, serienummer.

Informationen finns på typskylten.



Varningar/viktig säkerhetsinformation



Allmän information och tips



Miljöinformation

Med reservation för ändringar.

1. ⚠ SÄKERHETSINFORMATION

Läs noga de bifogade instruktionerna före installation och användning av produkten. Tillverkaren kan inte hållas ansvarig för personskador eller skador på egendom som orsakats av felaktig installation eller användning. Förvara alltid instruktionerna tillsammans med produkten för framtida bruk.

1.1 Säkerhet för barn och handikappade

- Denna produkt kan användas av barn från 8 års ålder och uppåt, och av personer med nedsatt fysisk, sensorisk eller mental förmåga, samt personer med bristande erfarenhet och kunskap, om de övervakas eller instrueras beträffande hur produkten används på ett säkert sätt och förstår de risker som är förknippade med användningen.
- Låt inte barn leka med produkten.
- Rengöring och användarunderhåll ska inte utföras av barn utan tillsyn.
- Håll allt förpackningsmaterial utom räckhåll för barn.

1.2 Allmän säkerhet

- Produkten är avsedd att användas i hushåll och liknande användningsområden som t.ex.:
 - Bondgårdar, personalkök i butiker, på kontor och andra arbetsmiljöer
 - Av gäster på hotell, motell, bed and breakfast och andra typer av boendemiljöer
- Se till att ventilationsöppningarna inte blockeras i produktens nisch eller i inbyggnadsutrymmet.
- Använd inga mekaniska verktyg eller andra medel för att påskynda avfrostningsprocessen utöver de som rekommenderas av tillverkaren.
- Var noga med att inte skada kylkretsen.
- Använd inga elektriska apparater inne i förvaringsutrymmena såvida de inte är av en typ som rekommenderas av tillverkaren.

- Spruta inte vatten eller ånga för att rengöra produkten.
- Rengör ugnen med en fuktig, mjuk trasa. Använd bara neutrala rengöringsmedel. Använd inte produkter med slipeffekt, skursvampar, lösningsmedel eller metallföremål.
- Förvara inte explosiva ämnen som t.ex. sprejburkar med lättantändligt bränsle i den här produkten.
- Om nätsladden är skadad måste den bytas av tillverkaren, tillverkarens servicerepresentant eller personer med motsvarande utbildning, för att undvika fara
- Om produkten är försedd med en ismaskin eller vattenmaskin ska de endast fyllas med vatten.
- Om produkten kräver en vattenanslutning ska den endast anslutas till en tillförselslang med drickbart vatten.
- Vattentrycket (minimum och maximum) måste vara mellan 1 bar (0,1 MPa) och 10 bar (1 MPa)

2. SÄKERHETSFÖRESKRIFTER

2.1 Installation



WARNING!

Endast en behörig person får installera den här produkten.

- Avlägsna allt förpackningsmaterial
- Installera eller använd inte en skadad produkt.
- Följ de installationsinstruktioner som följer med produkten.
- Produkten är tung, så var alltid försiktig när du flyttar den. Använd alltid skyddshandskar.
- Se till att luft kan cirkulera i produkten.
- Vänta minst 4 timmar innan du ansluter produkten till eluttaget. Detta för att oljan ska rinna tillbaka i kompressorn.
- Installera inte produkten nära element, spisar, ugnar eller hällar.
- Produktens bakre yta måste ställas mot väggen.

- Installera inte produkten där den står i direkt solljus.
- Montera inte den här produkten i områden som är för fuktiga eller för kalla, som t.ex. byggnadsförråd, garage eller vinkällare.
- När du flyttar produkten, lyft upp den i framkanten för att inte repa golvet.

2.2 Elektrisk anslutning



WARNING!

Risk för brand och elektriska stötar.

- Produkten måste jordas.
- Kontrollera att produktens märkdata överensstämmer med din strömkälla. I annat fall, kontakta en elektriker.
- Använd alltid ett korrekt installerat, stötsäkert och jordat eluttag.
- Använd inte grenuttag eller förlängningsladdar.
- Kontrollera så att du inte skadar de elektriska komponenterna (t.ex.

stickkontakten, nätkabeln, kompressorn). Kontakta service eller en elektriker för att ersätta skadade komponenter.

- Nätkabeln måste vara under stickkontaktens nivå.
- Anslut stickkontakten till eluttaget endast i slutet av installationen. Kontrollera att stickkontakten är åtkomlig efter installationen.
- Dra inte i nätkabeln för att koppla bort produkten från eluttaget. Ta alltid tag i stickkontakten.

2.3 Använd



WARNING!

Risk för skador, brännskador eller elstötar föreligger.

- Ändra inte produktens specifikationer.
- Ställ inte elektriska produkter (t.ex. glassmaskiner) i produkten om inte tillverkaren uttryckligen säger att det är lämpligt.
- Var försiktig så att du inte skadar kylkretsen. Den innehåller isobutan (R600a), en naturgas som är miljöanpassad i hög grad. Denna gas är lättantändlig.
- Om kylkretsen skadas får inga flammor eller antändningskällor finnas i rummet. Ventilera rummet.
- Låt inte varma föremål vidröra plastdelarna i produkten.
- Lägg inte in läskedrycker i frysen. Detta skapar tryck i dricksflaskan.
- Förvara inte brandfarliga gaser eller vätskor i produkten.
- Placera inga lättantändliga produkter eller föremål som är fuktiga med lättantändliga produkter i, nära eller på produkten.
- Vidrör inte kompressorn eller kondensorn. De är heta.

- Ta inte bort och vidrör inte föremål från frysdelen om händerna är våta eller fuktiga.
- Frys inte mat igen som en gång tinats.
- Följ förvaringsanvisningarna på förpackningen till den frusna maten.

2.4 Skötsel och rengöring



WARNING!

Risk för personskador och skador på produkten föreligger.

- Stäng av produkten och koppla bort den från eluttaget före underhåll.
- Kylenshet i denna produkt innehåller kolväten Endast en behörig person får utföra underhåll och fylla kylapparaten.
- Undersök regelbundet tömningskanalen i kylan och rengör den vid behov. Om tömningskanalen täpps igen kommer avfrostat vatten att samlas på produktens botten.

2.5 Avfallshantering



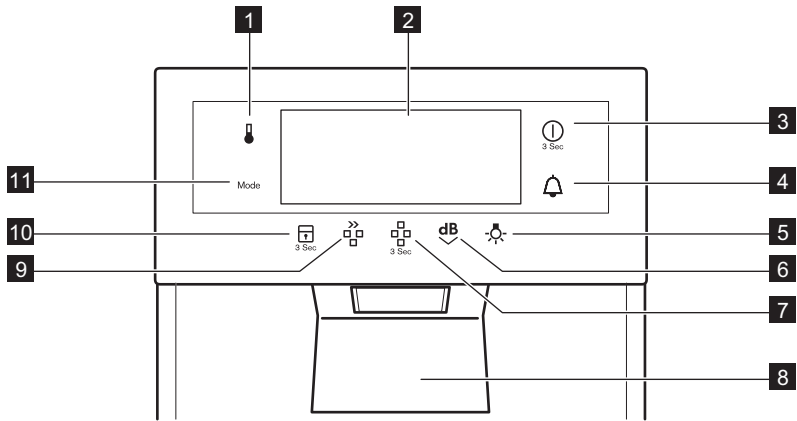
WARNING!

Risk för kvävning eller skador.

- Koppla loss produkten från eluttaget.
- Klipp av strömkabeln och kassera den.
- Ta bort locket för att hindra att barn eller djur stängs in i produkten.
- Kylkretsen och isoleringsmaterialet i den här produkten är "ozonvänliga".
- Isoleringsmaterialet innehåller brandfarlig gas. Kontakta kommunen för information om hur produkten kasseras korrekt.
- Orsaka inte skada på den delen av kylenshet som är nära värmeväxlaren.

3. ANVÄNDNING

3.1 Kontrollpanel

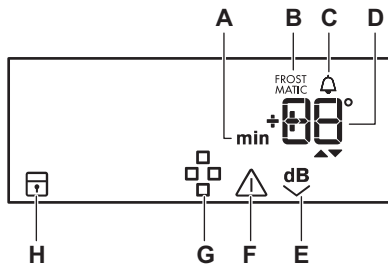


- | | | | |
|---|--------------------|----|----------------------------|
| 1 | Temperaturknapp | 7 | På/av-knappen för ismaskin |
| 2 | Display | 8 | Dispenserspåk |
| 3 | PÅ/AV-knapp | 9 | Knappen för snabb is |
| 4 | Knapp för Signalur | 10 | Barnlås-knapp |
| 5 | Ljusknapp | 11 | Mode-knapp |
| 6 | Knapp för nattläge | | |

Det går att ändra de förinställda knappljuden till att låta högre genom att samtidigt trycka in Mode-knappen och

Temperatur-knappen i några sekunder. Ljudet kan ändras tillbaka.

3.2 Display



- A. Timer
- B. FROSTMATIC-funktion
- C. Signalur
- D. Temperaturindikator
- E. Nattläge
- F. Larmindikator
- G. Ismaskin
- H. Barnlås

3.3 Slå på

1. Sätt i stickkontakten i eluttaget.

2. Tryck på ON/OFF om displayen inte är tänd.

Larmet kan ljuda efter några sekunder.

För återställning av larmet, se "Larm vid för hög temperatur".

Om DEMO visas på displayen är produkten i demonstrationsläge. Se avsnittet "Om maskinen inte fungerar".

Temperaturindikatorerna visar den inställda standardtemperaturen.

i Se avsnittet "Temperaturreglering" om du vill välja en annan temperatur.

3.4 Stänga av

Tryck på ON/OFF i cirka 3 sekunder. Displayen stängs av.

i För att koppla loss produkten från strömkällan: dra ut stickkontakten ur eluttaget.

3.5 Temperaturreglering

Den inställda temperaturen för frysen kan justeras genom att man trycker på temperaturknapparna.

Standardtemperatur:

- -18 °C i frysen

Temperaturdisplayen visar den inställda temperaturen.

i Den inställda temperaturen uppnås inom 24 timmar. Efter ett strömbrott sparas den inställda temperaturen.

3.6 Ismaskin

Ismaskinen är påslagen vid leverans och startar automatiskt när produkten ansluts till vatten- och elnät.

Stäng av och slå funktionen genom att hålla ismaskinens ON/OFF-knapp intryckt i 3 sekunder.

Symbolen för ismaskinen visas när ismaskinen är aktiverad.

i Symbolen för ismaskinen blinkar när isbehållaren inte är i rätt läge. För mer information, se avsnittet "Felsökning".

3.7 ChildLock-funktion

För att låsa knapparna väljer du funktionen ChildLock.

1. För att aktivera funktionen, håll ChildLock intryckt i 3 sekunder. ChildLock-indikatorn visas.
2. Stäng av funktionen genom att hålla ChildLock intryckt i 3 sekunder. ChildLock-indikatorn släcks.

3.8 FROSTMATIC-funktion

Tryck på Mode-knappen tills FROSTMATIC-symbolen visas. Denna funktion stängs av automatiskt efter 52 timmar. Om du vill stänga av funktionen innan dess automatiska slut trycker du på Mode-knappen för att välja en annan funktion eller trycker på Mode-knappen tills du inte ser någon av symbolsymbolerna.

i Funktionen avaktiveras när man väljer en annan temperatur i frysen.

3.9 Signalur

Funktionen Signalur används för att ställa in en signal vid en önskad tidpunkt. Det är användbart exempelvis när ett recept kräver att man låter en smet svalna under en viss tid eller när en påminnelse behövs för att inte glömma bort flaskor som har lagts i frysen för snabb kylning.

1. Tryck på knappen för signaluret. Kontrolllampan för Signalur tänds. Timern visar det inställda värdet (30 minuter).
2. Tryck på Temperatur-knappen för att ändra det inställda värdet från 1 till 90 minuter.

Timer-indikeringen visar (min). När nedräkningen är slut blinkar kontrolllampan för Signalur och ett ljudlarm hörs. Ta vid den tidpunkten bort alla drycker i frysfacket och tryck på knappen för Signalur för att stänga av ljudet och avsluta funktionen.

Tryck på Temperatur-knappen för att ändra tiden under nedräkningen eller i slutet.

Om du vill inaktivera funktionen under nedräkningen upprepar du förfarandet tills symbolen för Signalur släcks.

3.10 Larm vid för hög temperatur

En temperaturökning i frysen (t.ex. på grund av ett tidigare strömavbrott eller om dörren lämnas öppen) indikeras genom att:

- kontrolllamporna för larm och frystemperatur blinkar
- larmet ljuder.

Tryck på valfri knapp. Ljudsignalen stängs av. Frysens temperaturdisplay visar den högsta uppnådda temperaturen i några sekunder. Därefter visas återigen den inställda temperaturen. Kontrolllampan för larm fortsätter att blinka tills normala förhållanden råder igen.

3.11 Larm vid öppen dörr

Ett ljudlarm avges om dörren lämnas öppen några minuter. Larmtillståndet för öppen dörr indikeras av att:

- larmindikatorn blinkar
- larmet ljuder.

När normala förhållanden har återställts (dörren är stängd) stängs ljudlarmet av.

Medan larmfasen pågår kan ljudsignalen stängas av genom att trycka på en knapp på kontrollpanelen.

3.12 Belysning

Isdispenserns belysning tänds automatiskt när den används.

3.13 För ständig belysning

Se till att isdispensern är i upplåst läge.

Tryck på belysningsknappen så tänds belysningen.

Ljusstyrkan är nu cirka 20 % tills dispensern används.

3.14 Släcka belysningen

Se till att isdispensern är i upplåst läge.

Tryck på belysningsknappen så släcks belysningen.

3.15 Nattläge

Den här funktionen används för att stänga av ismaskinen under dagens mörkare del.

Tryck på nattlägesknappen för att slå på eller av nattläget.

Symbolen för Nattläge visas när Nattläge är aktiverat.

3.16 Dispensera is

Isdispensering startar när dispenserreglaget trycks in helt och pågår tills reglaget släpps.

Stoppa utmatning genom att ta bort behållaren från dispenserreglaget.

3.17 Snabb dispensering av is

Om man önskar ökad isdispensering kan man trycka på knappen för snabb is och hålla in den och sedan trycka på dispenserreglaget.

4. DAGLIG ANVÄNDNING



VARNING!

Se säkerhetsavsnitten.

4.1 Infrysning av färska livsmedel

Produkten är lämplig för infrysning av färska livsmedel och långvarig förvaring av frysta och djupfrysta matvaror.

För att frysa in en liten mängd färska livsmedel behöver inte den aktuella inställningen ändras.

För infrysning av färska livsmedel, aktivera FROSTMATIC-funktionen minst 24 timmar innan livsmedlet som skall frysas placeras i frysfacket.

Placera färska livsmedel som skall frysas i alla fack utom det nedersta.

Den största mängd mat som kan frysas inom 24 timmar anges på typsskylten som sitter på insidan.

Infrysningen tar 24 timmar: lägg inte in andra livsmedel som ska frysas under denna period.

Återgå till önskad temperatur (se "FROSTMATIC-funktionen") när infrysningen är klar.

4.2 Förvaring av fryst mat

Vid första uppstart eller efter ett uppehåll i avstängt läge, låt produkten stå på i minst två timmar innan du lägger in några matvaror.

Fryslådorna gör att du snabbt och enkelt kan hitta de matpaket du söker. Om stora mängder mat skall förvaras, plocka ur alla lådor utom den nedre korgen som säkerställer god luftcirkulation.

Med undantag för den översta hyllan kan du på alla hyllor placera mat som sticker ut 15 mm från dörren.



I händelse av en oavsiktlig avfrostning, t.ex. vid ett strömavbrott och avbrottet varar längre än den tid som anges i den tekniska informationen under "Säkerhet vid strömavbrott", måste den tinade maten konsumeras snabbt eller omedelbart tillagas och sedan frysas in på nytt (när maten har kallnat).

4.3 Uppthining

Djupfryst och fryst mat kan, innan den används, tinas i kylan eller vid rumstemperatur beroende på den tid som står till förfogande för upptiningen.

Småbitar kan till och med tillagas direkt från frysen medan de fortfarande är frysta. Tillagningen tar i detta fall dock lite längre tid.

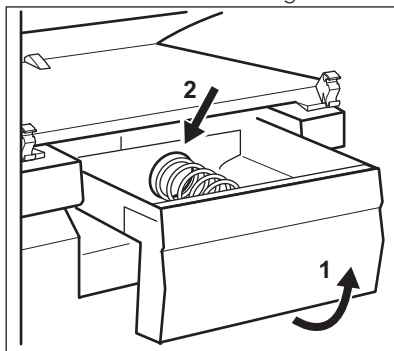
4.4 Ta bort isbehållaren

Isbehållaren kan tas bort.

1. Luta uppåt och dra ut isbehållaren när den ska tas bort.

När isbehållaren är utdragen bryts alla ismaskinens funktioner.

2. Vid återmontering ska (vid behov) isbehållarens matningssskruv passas in mot den bakre medbringaren.

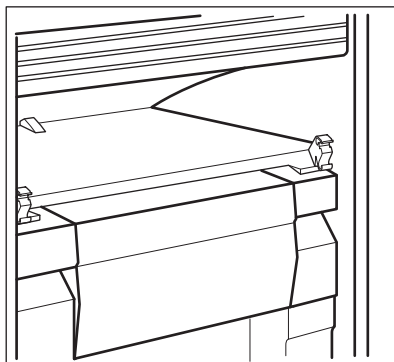


4.5 Hyllan ovanför ismaskinen



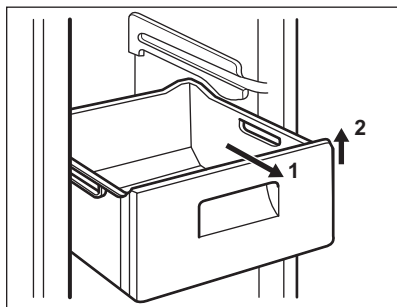
FÖRSIKTIGHET!

Hyllan ovanför ismaskinen kan inte tas bort.



4.6 Borttagning av fryslådor och glashyllor från frysen

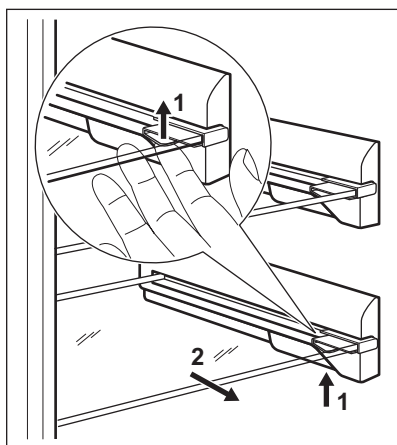
Fryslådorna har ett stopp som förhindrar att de oavsiktligt tas bort eller ramlar ut. För att ta ut en fryslåda ur frysen, dra lådan mot dig till stoppet och tag sedan bort den genom att vinkla den främre delen uppåt.



Sätt tillbaka lådan genom att lyfta upp lådans främre del något och sätta in den i frysen. När lådan har passerat stoppen, skjut in lådan på plats.

Produkten är försedd med hyllstoppar för att hyllorna ska sitta säkert.

Hyllorna måste lyftas upp (1) på varje sida och därefter dras utåt (2).



Glashyllorna är utrustade med expanderrullar fastsatta med låssprintar.

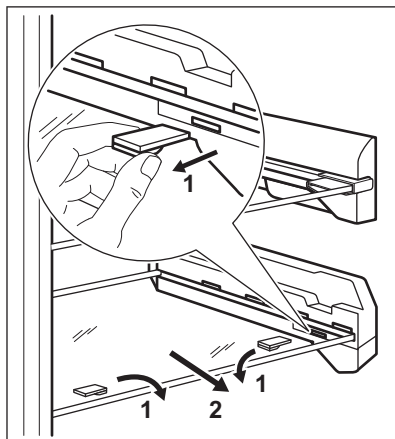
Ta bort dem genom att lossa låssprinten på båda sidor om expanderrullen. Använd en skruvmejsel vid behov.

Dra efteråt ur båda låssprintarna (1) och dra glashyllan utåt (2).

5. RÅD OCH TIPS

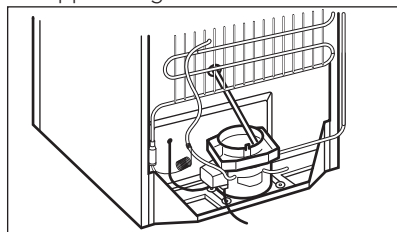
5.1 Normala driftljud

Följande ljud är normala under drift:



4.7 Invändig rengöring

1. Innan du använder produkten första gången ska du rengöra dess insida och alla invändiga tillbehör med ljummet vatten och en liten mängd neutral såpa för att ta bort den typiska lukten hos nya produkter. Eftertorka sedan noga.
2. Kontrollera att tömningsslangen på baksidan av kylskåpet tömmer ut på uppsamlingsbrickan.



FÖRSIKTIGHET!

Använd inga starka rengöringsmedel eller skurpulver eftersom sådana produkter skadar ytfinishen.

- Ett gurglande och bubblande ljud hörs från slingorna när köldmedlet pumpas runt.

- Ett surrande eller pulserande ljud hörs från kompressorn när köldmedlet pumpas runt.
- Ett plötsligt knackande ljud från produktens insida som orsakas av termisk dilatation (ett naturligt och ofarligt fysiskt fenomen).
- Ett gurglande klickljud hörs från temperaturregulatorn när kompressorn slås på eller av.
- slå in maten i aluminiumfolie, eller lägg den i plastpåsar och se till att förpackningarna är lufttäta;
- låt inte färsk, ej infrysad mat komma i kontakt med redan infrysad mat för att temperaturen inte skall öka i den infrysda maten.
- magra matvaror håller sig bättre och längre än feta. Salt minskar livslängden på matvaror.
- isglass kan, om den konsumeras direkt från frysfacket, orsaka frysskador på huden;
- det är lämpligt att anteckna datumet för infrysning på varje separat förpackning så att du kan hålla reda på förvaringstiderna.

5.2 Tips för energibesparing

- Öppna inte dörren för ofta och låt den inte stå öppen längre tid än absolut nödvändigt.
- Avlägsna inte kylackumulatorerna (i förekommande fall) från fryskorgen.

5.3 Tips för infrysning

Här följer några värdefulla tips som hjälper dig att använda infrysningfunktionen på bästa sätt:

- den största mängd mat som kan frysas inom 24 timmar anges på typskylten
- Infrysningsprocessen tar 24 timmar. Ytterligare livsmedel som skall frysas in bör inte läggas in under denna period.
- frys endast in färska och rena matvaror av hög kvalitet.
- dela upp maten i små portioner för en snabbare och fullständig infrysning. Sedan kan du dessutom plocka ut och tina endast den mängd du behöver.

5.4 Tips för förvaring av fryst mat

Observera följande för att utnyttja produktens prestanda på bästa sätt:

- Kontrollera att kommersiellt infrysad matvaror har förvarats på rätt sätt av återförsäljaren.
- transportera frysta matvaror från affären till frysen så snabbt som möjligt;
- öppna inte dörren för ofta och låt den inte stå öppen längre tid än absolut nödvändigt.
- när fryst mat tinas upp försämrans den snabbt och får inte frysas in på nytt.
- överskrid inte den förvaringsperiod som anges av tillverkaren.

6. SKÖTSEL OCH RENGÖRING



VARNING!

Se säkerhetsavsnitten.

6.1 Allmänna varningar



FÖRSIKTIGHET!

Koppla loss produkten från eluttaget innan du utför någon form av underhåll.



Kylenheten i denna produkt innehåller kolväten. Underhåll och påfyllning får därför endast utföras av en auktoriserad servicetekniker.



Tillbehören och andra delar av produkten är inte lämpliga för rengöring i diskmaskin.

6.2 Regelbunden rengöring



FÖRSIKTIGHET!

Dra inte i, flytta inte och undvik att skada rörledningarna och kablarna inne i produkten.



FÖRSIKTIGHET!

Var försiktig så att du inte skadar kylsystemet.



FÖRSIKTIGHET!

När du flyttar produkten ska du lyfta upp den i framkanten så att inte golvet repas.

Utrustningen måste rengöras med jämna mellanrum:

1. Rengör kylens/frysens insida och alla tillbehör med ljummet vatten och en liten mängd neutral såpa.
2. Inspektera regelbundet dörttätingarna och torka dem rena från eventuell smuts.
3. Skölj av och torka noggrant.
4. Rengör kondensorn och kompressorn (om de går att komma åt) på produktens baksida med en borste.
Detta förbättrar produktens prestanda och bidrar till en lägre energiförbrukning.

6.3 Rengöra ismaskinen

Rengör vid behov dispenserns och isbehållarens utifrån åtkomliga ytor endast med hjälp av en mjuk trasa och varmt vatten.

Se till att isbehållaren är helt torr innan den sätts tillbaka på sin plats.



FÖRSIKTIGHET!

Använd inte rengöringsmedel eller slipmedel.

6.4 Avfrostning av frysen

Frysacket behöver inte avfrostas. Detta innebär att det inte bildas någon frost

under drift, varken på innerväggarna eller matvarorna.

Att frost inte bildas beror på en kontinuerlig cirkulation av kallluft, som genereras av en automatiskt kontrollerad fläkt, inne i frysavdelningen.

6.5 Långa uppehåll

Följ nedanstående anvisningar om produkten inte skall användas på länge:

1. Stäng av ismaskinen.
2. Stäng av vattenanslutningen.
3. Töm isbehållaren.
4. Koppla loss produkten från eluttaget.
5. Plocka ur alla matvaror.
6. Rengör produkten och alla tillbehör.
7. Låt dörren/dörrarna stå på glänt så att inte dålig lukt bildas.

När ismaskinen startas igen, använd inte is som tillverkats den första dagen för att vara säker på att den smakar bra.



VARNING!

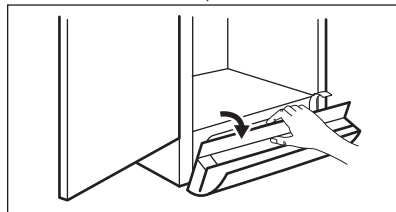
Om produkten lämnas påslagen, be någon titta till den då och då så att inte varorna i den förstörs i händelse av strömavbrott.

6.6 Rengöring av ventilationsgallret

Se till att dörren är öppen.

Ventilationsgallret kan tas bort så att det kan diskas.

1. Lossa kanten på gallret genom att dra i det såsom på bilden.



2. Dra gallret rakt ut för att ta bort det helt.
3. Dammsug under produkten.

7. FELSÖKNING



VARNING!

Se säkerhetsavsnitten.

7.1 Om produkten inte fungerar...

Problem	Möjlig orsak	Åtgärd
Produkten fungerar inte.	Produkten har stängts av.	Slå på produkten.
	Stickkontakten sitter inte ordentligt i eluttaget.	Sätt i stickkontakten ordentligt i eluttaget.
	Eluttaget är strömlöst.	Anslut en annan elektrisk produkt till eluttaget. Kontakta en behörig elektriker.
Produkten bullrar.	Produkten står ostadigt.	Kontrollera om produkten står stabilt.
Ljudligt eller visuellt larm är på.	Produkten har nyligen slagits på eller temperaturen är fortfarande för hög.	Se avsnitt "Larm vid öppen dörr" eller "Larm vid för hög temperatur".
	Temperaturen i produkten är för hög.	Se avsnitt "Larm vid öppen dörr" eller "Larm vid för hög temperatur".
	Dörren har lämnats öppen.	Stäng dörren.
	Temperaturen i produkten är för hög.	Kontakta en behörig elektriker eller närmaste auktoriserade serviceverkstad.
En rektangulär symbol visas istället för siffror på temperaturdisplayen.	Fel på temperatursensorn.	Kontakta närmaste auktoriserade serviceverkstad (kylsystemet fortsätter att hålla matvarorna kalla, men temperaturen kan inte justeras).
Lampan fungerar inte.	Lampan är i standby-läge.	Stäng och öppna dörren.
Lampan fungerar inte.	Lampan är trasig.	Kontakta närmaste auktoriserade serviceverkstad.
Kompressorn är kontinuerligt i drift.	Temperaturen är felaktigt inställd.	Se avsnittet "Användning".
	Många matvaror inlagda samtidigt.	Vänta några timmar och kontrollera sedan temperaturen igen.
	Rumstemperaturen är för hög.	Se klimatlasstabellen på typskylten.

Problem	Möjlig orsak	Åtgärd
	Alltför varm mat har lagts in.	Låt mat svalna till rumstemperatur före infrysning.
	Dörren är inte ordentligt stängt.	Se avsnittet "Stängning av dörren".
	Funktionen FROSTMATIC är på.	Se "Funktionen FROSTMATIC".
Det har bildats för mycket frost och is.	Dörren är inte korrekt stängd eller packningen är deformerad/smutsig.	Se avsnittet "Stängning av dörren".
Kompressorn startar inte omedelbart när FROSTMATIC-knappen trycks in eller när temperaturen ändras.	Detta är normalt och anger inte att något fel har uppstått.	Kompressorn startar efter en stund.
Vatten rinner ut på golvet.	Smältvattensutloppet är inte anslutet till avdunstningsbrickan ovanför kompressorn.	Anslut smältvattensutloppet till avdunstningsbrickan.
Temperaturen kan inte ställas in.	Funktionen FROSTMATIC eller COOLMATIC är påslagen.	Stäng av FROSTMATIC eller COOLMATIC manuellt eller vänta med att ställa in temperaturen tills funktionen har återställts automatiskt. Se "FROSTMATIC- eller COOLMATIC-funktionen".
Ingen istillverkning.	Ismaskinen är inte påslagen.	Se "Slå på och stänga av ismaskinen".
DEMO visas på displayen.	Produkten är i demonstrationsläge.	Håll Mode intryckt ca 10 sek tills en ljudsignal hörs och displayen släcks en stund.
Dörren är felriktad eller blockerar ventilationsgallret.	Produkten står inte plant.	Se avsnittet "Justering av höjd".
Temperaturen i produkten är för låg/hög.	Temperaturen är felaktigt inställd.	Ställ in en högre/lägre temperaturen.
	Matvarornas temperatur är för hög.	Låt matvarornas temperatur sjunka till rumstemperatur innan du lägger in dem.
	Dörren har öppnats för ofta.	Öppna dörren bara när det behövs.
	Funktionen FROSTMATIC är på.	Se "Funktionen FROSTMATIC".

Problem	Möjlig orsak	Åtgärd
	Kalluft cirkulerar inte i produkten.	Se till att kalluft kan cirkulera i produkten.
E1 blinkar på temperaturdisplayen.	Ingen vattentillförsel.	Åtgärda vattentillförsel. Tryck på valfri knapp för att återställa larmet.
E2 blinkar på temperaturdisplayen.	Ispassagen i dörren är blockerad.	Avlägsna hindret. Tryck på valfri knapp för att återställa larmet.
E3 eller E5 blinkar på temperaturdisplayen.	Ismaskinen är trasig.	Kontakta närmaste auktoriserade serviceverkstad.
Symbolen för ismaskin blinkar.	Isbehållaren är i fel läge.	Ta bort isbehållaren och placera den korrekt. Se "Ta bort isbehållaren".
Ett skramlande ljud.	Omrörning av isen för att motverka sammanfrysning.	Ingen åtgärd, normalt ljud. Du kan också se "Aktivera nattläge".



Kontakta närmaste auktoriserade serviceverkstad om dessa råd inte löser problemet.

7.2 Stängning av dörren

1. Rengör dörrtätningarna.
2. Justera dörren vid behov. Se avsnitt "Installation".
3. Byt vid behov ut defekta dörrtätningar. Kontakta den auktoriserade serviceverkstaden.

7.3 Byte av lampan

Produkten har en innerbelysning bestående av en LED-lampa med lång livslängd.

Endast servicepersonal får byta ut lampan. Kontakta din auktoriserade serviceverkstad.

8. INSTALLATION



VARNING!
Se säkerhetsavsnitten.

8.1 Placering

Produkten kan installeras på en torr och välventilerad plats inomhus där omgivningstemperaturen motsvarar den klimatklass som anges på typskylten:

Klimat-klass	Omgivningstemperatur
SN	+10 °C till + 32 °C
N	+16 °C till + 32 °C
ST	+16 °C till + 38 °C
T	+16 °C till + 43 °C



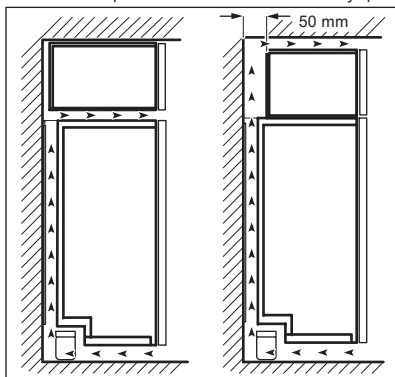
Vissa funktionsproblem kan uppstå för vissa modelltyper vid användning utanför det området. Korrekt funktion kan endast garanteras inom angivet temperaturområde. Om du är osäker på var du ska installera produkten kan du kontakta återförsäljaren, vår kundtjänst eller närmsta servicecenter

8.2 Plats

För bästa effekt, om produkten placeras under en överhängande vägg, skall det finnas minst 40 mm fritt utrymme mellan skåpets översida och väggenheten. Produkten bör dock helst inte placeras under överhängande väggheter.

Utrymmet för ventilation kan vara:

- direkt ovanför produkten
- bakom och ovanför överskåpet. I detta fall måste utrymmet bakom överskåpet vara minst 50 mm djupt.



8.3 Elektrisk anslutning

- Kontrollera att nätspanningen och nätfrekvensen överensstämmer med produktens märkdata som anges på typskylten före anslutning till ett eluttag.
- Produkten måste jordas. Nätkabelns stickkontakt är försedd med en kontakt för detta ändamål. Om nätspänningsmatningen inte är jordad, kontakta en kvalificerad elektriker för att ansluta produkten till

en separat jord enligt gällande bestämmelser.

- Tillverkaren ansvarar inte för skador orsakade av att ovanstående säkerhetsåtgärder inte har följts.
- Denna produkt uppfyller kraven enligt EEG-direktiven.

8.4 Ta bort transportstöden

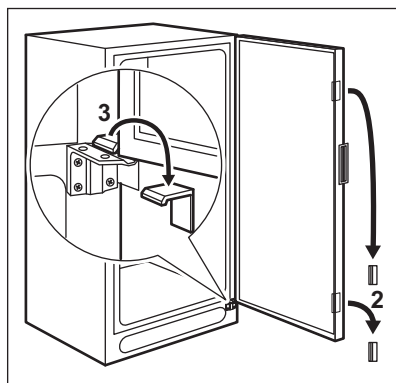
Produkten har ett transportstöd för att säkra dörren under transport.

1. Öppna dörren.
2. Ta bort transportstödet från dörrsidorna.
3. Ta bort transportstödet från nedre gångjärnet (vissa modeller).



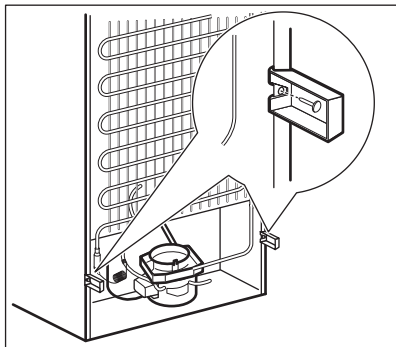
FÖRSIKTIGHET!

Vissa modeller har en ljuddämpande dyna undertill. Ta inte bort denna dyna.



8.5 Bakre distanshållare

Montera de två distanshållarna och låssprintarna som medföljer i tillbehörspåsen såsom figuren visar.



8.6 Anslutning av vattenslang



VARNING!

En säkerhetsventil måste monteras vid vattenanslutningen.

Anslutning av vatten ska göras med en kran och en 3/4" hankoppling inom 1,5 m från produkten.

Arbetet bör utföras av en behörig VVS-installatör.

På marknaden finns olika typgodkända kranar och kranatsar.

Vattenslangen får inte vara sprucken, klämd eller ligga i tvära böjar.

Om den här produkten har köpts tillsammans med motsvarande kyl ska installationen göras på ett sådant sätt att båda produkterna delar säkerhetsventilen som medföljer kylan.

Om apparaten har köpts som en enda installation eller tillsammans med en apparat utan vattenanslutning, måste en säkerhetsventil (1504516-00/4) köpas och installeras. Denna artikel kan beställas via www.electrolux.com

Innan produkten ställs på sin slutliga plats, kontrollera att vattenanslutningen har gjorts korrekt och att inget läckage förekommer vid anslutningen till kranen.

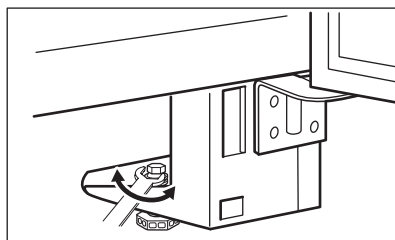
Dra åt skruven tillräckligt mycket för hand.

Kontrollera att packningen sitter rätt i kopplingen.

Vi rekommenderar att produkten placeras på en avrinningsmatta avsedd för kyl-/frysåp, för att enklare kunna upptäcka eventuellt läckage.

8.7 Justering av höjd

Se till att produkten står i våg där den installeras. Justera vid behov fötterna med medföljande skruvnyckel. Dörrjusteringen är beroende av att produkten står i våg.



8.8 Starta ismaskinen första gången

Kontrollera att kopplingen till kranen är ordentligt gjord. Se avsnittet "Anslutning av vattenslang".

Vatten börjar fyllas på när temperaturen är tillräckligt låg.

1. Öppna kranen.
2. Starta frysen.

Ismaskinen startar automatiskt.



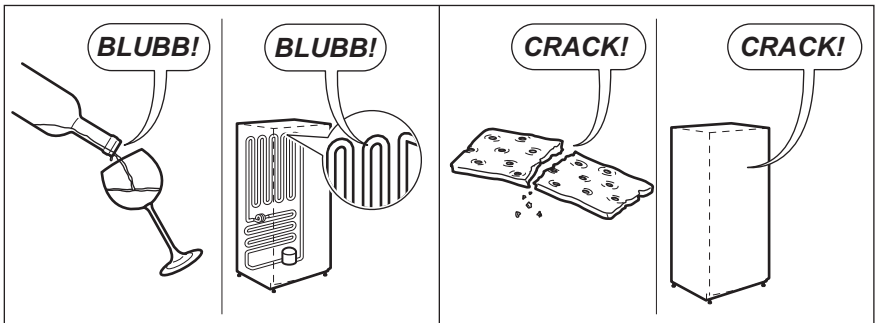
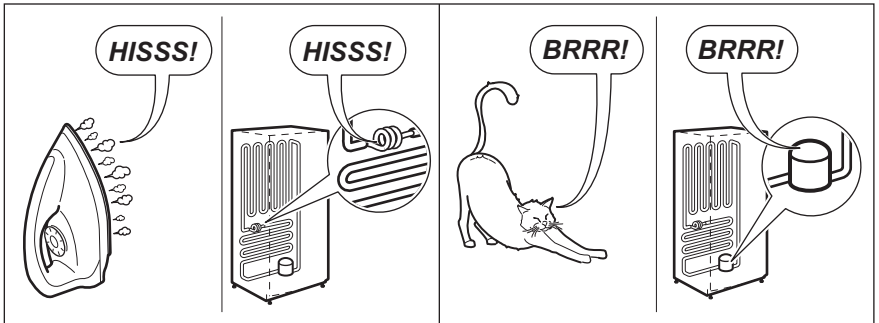
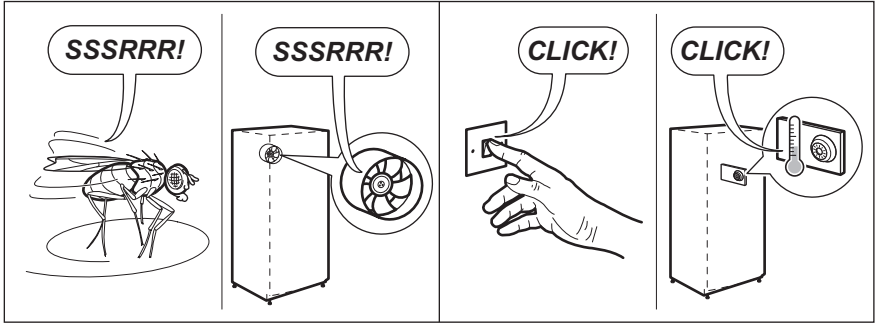
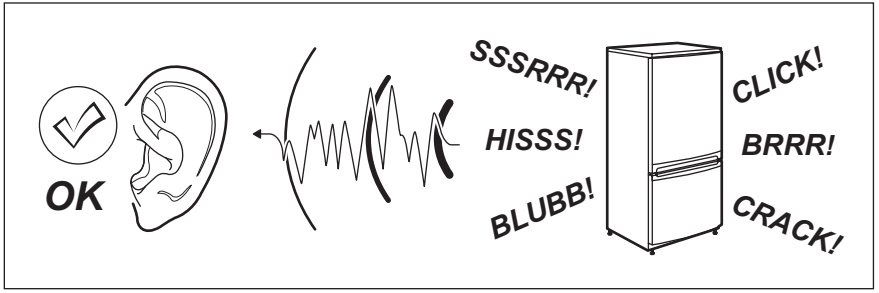
Använd inte is som tillverkats under den första dagen för att vara säker på att få en bra smak.

8.9 Omhängning av dörr

Om du vill hänga dörren åt andra hållet kan du kontakta närmaste auktoriserade serviceverkstad. En servicetekniker hänger om den mot en avgift.

9. BULLER

Vissa ljud hörs under normal användning (kompressor, cirkulation av köldmedel).



10. TEKNISK INFORMATION

10.1 Tekniska data

Höjd	mm	1800
Bredd	mm	595
Djup	mm	650
Temperaturökningstid	Timmar	10
Nätspänning	Volt	230 - 240
Frekvens	Hz	50

Teknisk information finns på typskylten som sitter på insidan eller utsidan av produkten och på energietiketten.

10.2 Vattentryck


Vattentryck	
Vattentrycket måste vara minst 1 bar (100 kPa).	Kontakta din installatör om vattentrycket är under 1 bar.
Högsta tillåtna vattentryck är 10 bar (1000 kPa)	Vid vattentryck över 10 bar måste en reduceringsventil monteras (finns i fackhandeln).




FÖRSIKTIGHET!

- Anslut inte produkten till vatten i utrymmen där omgivningstemperaturen kan sjunka under fryspunkten.
- Produkten får endast anslutas till en dricksvattenledning.
- Produkten får endast anslutas till en kallvattenledning.

11. MILJÖSKYDD

Återvinn material med symbolen . Återvinn förpackningen genom att placera den i lämpligt kärl. Bidra till att skydda vår miljö och vår hälsa genom att återvinna avfall från elektriska och elektroniska produkter. Släng inte

produkter märkta med symbolen  med hushållsavfallet. Lämna in produkten på närmaste återvinningsstation eller kontakta kommunkontoret.

www.aeg.com/shop



855838802-A-082016

 **AEG**